

Hotpoint

Microwave Oven

User Manual



MF25G BL H

EN - RU - KZ

CONTENTS

ENGLISH	03-23
РУССКИЙ	24-48
КАЗАХ	49-70

Please read this manual first!





Dear Customer,

Thank you for selecting a Hotpoint product. We hope that you get the best results from your product which has been manufactured with high quality and state-of-the-art technology. Therefore, please read this entire user manual and all other accompanying documents carefully before using the product and keep it as a reference for future use. If you handover the product to someone else, give the user manual as well. Follow all warnings and information in the user manual.

Remember that this user manual may also apply to other models. Differences between models are explicitly described in the manual.

Meanings of the symbols

Following symbols are used in the various section of this user manual:

	Important information and useful hints about usage.
	Warnings for dangerous situations concerning the safety of life and property.
	Warning for electric shock.
	Warning for hot surfaces.

1 Important safety and environmental instructions

Important Safety Instructions Read Carefully And Keep For Future Reference

1.1 Safety warnings

This section contains safety instructions that will help protect from risk of fire, electric shock, exposure to leak microwave energy, personal injury or property damage. Failure to follow these instructions shall void any warranty.

- Hotpoint Microwave Ovens comply with the applicable safety standards; therefore, in case of any damage on the appliance or power cable, it should be repaired or replaced by the dealer, service center or a specialist and authorized service alike to avoid any danger. Faulty or unqualified repair work may be dangerous and cause risk to the user.
- This appliance is intended to be used in household and similar applications such as:
 - Staff kitchen areas in shops, offices and other working environments;
 - Farm houses
 - By clients in hotels, and other residential type environments;
 - Bed and Breakfast type environments.
- It is not intended for industrial or laboratory use.
- Do not attempt to start the oven when its door is open; otherwise you may be exposed to harmful microwave energy. Safety locks should not be disabled or tampered with.
- The microwave oven is

1 Important safety and environmental instructions

intended for heating food and beverages. Drying of food or clothing and heating of warming pads, slippers, sponges, damp cloth and similar may lead to risk of injury, ignition or fire.

- Do not place any object between the front side and the door of the oven. Do not allow dirt or cleaning agent remnants to build up on the closure surfaces.
- Any service works involving removal of the cover that provides protection against exposure to microwave energy must be performed by authorized persons/service. Any other approach is dangerous.
- Your product is intended for cooking, heating and defrost food at home. It must not be used for commercial purposes.
- Your oven is not designed to dry any living being.
- Do not use your appliance to dry clothes or kitchen towels.
- Do not use this appliance outdoors, bathrooms, humid environments or in places where the it can get wet.
- No responsibility or warranty claim shall be assumed for damages arising from misuse or improper handling of the appliance.
- Never attempt to dismantle the appliance. No warranty claims are accepted for damage caused by improper handling.
- Only use the original parts or parts recommended by the manufacturer.

1 Important safety and environmental instructions

- Do not leave this appliance unattended while it is in use.
- Always use the appliance on a stable, flat, clean dry, and non-slip surface.
- The appliance should not be operated with an external clock timer or separate remote control system.
- Before using the appliance for the first time, clean all parts. Please see the details given in the "Cleaning and Maintenance" section.
- Operate the appliance for its intended purpose only as described in this manual.
- Appliance becomes very hot while it is in use. Pay attention not to touch the hot parts inside the oven.
- Do not operate the oven empty.
- Cooking utensil may get hot due to the heat transferred from the heated food to the utensil. You may need oven gloves to hold the utensil.
- Utensils shall be checked to ensure that they are suitable for use in microwave ovens.
- Do not place the oven on stoves or other heat generating appliances. Otherwise, it may be damaged and the warranty becomes void.
- Steam may come out while opening the covers or the foil after cooking the food.
- The appliance and its accessible surfaces may be very hot when the appliance is in use.
- Door and outer glass may be very hot when the appliance is in use.

1 Important safety and environmental instructions

- Make sure that your mains power supply complies with the information supplied on the rating plate of the appliance.
- The only way to disconnect the appliance from the power supply is to remove the power plug from the power outlet.
- Use the appliance with a grounded outlet only.
- Never use the appliance if the power cable or the appliance itself is damaged.
- Do not use this appliance with an extension cord.
- Never touch the appliance or its plug with damp or wet hands.
- Place the appliance in a way so that the plug is always accessible.
- Prevent damage to the power cable by not squeezing, bending, or rubbing it on sharp edges. Keep the power cable away from hot surfaces and naked flame.
- Make sure that there is no danger that the power cable could be accidentally pulled or that someone could trip over it when the appliance is in use.
- Unplug the appliance before each cleaning and when the appliance is not in use.
- Do not pull the power cable of the appliance to disconnect it from its power supply and never wrap its power cable around the appliance.
- Do not immerse the appliance, power cable, or power plug in water or any other liquids. Do not hold it under running water.

1 Important safety and environmental instructions

- When heating food in plastic or paper containers, keep an eye on the oven due to the possibility of ignition.
- Remove the wire strings and/or metal handles of paper or plastic bags before placing bags to the oven.
- If smoke is observed, switch off or unplug the appliance if safe to do so and keep the door closed in order to stifle any flames.
- Do not use microwave oven for storage. Do not leave paper items, cooking material or food inside the oven when it is not being used.
- The contents of feeding bottles and baby food jars should be stirred or shaken and the temperature checked before consumption, in order to avoid burns.
- This appliance is a Group 2 Class B ISM equipment. Group 2 contains all ISM (Industrial, Scientific and Medical) equipment in which radio-frequency energy is intentionally generated and/or used in the form of electromagnetic radiation for the treatment of material, and spark erosion equipment.
- Class B equipment is suitable for use in domestic establishments and establishments directly connected to a low voltage power supply network.
- Do not use cooking oil in the oven. Hot oil may damage the components and materials of the oven, and it may even cause skin burns.
- Pierce food with thick

1 Important safety and environmental instructions

crust such as potatoes, courgettes, apples and chestnuts.

- Appliance must be placed so that the rear side is facing the wall.
- Before moving the appliance, please secure the turntable to prevent damage.
- Eggs in their shell and whole hard-boiled eggs must not be heated in microwave ovens since they may explode, even after microwave heating has ended.

WARNING: If the door or door seals are damaged, the oven must not be operated until it has been repaired by a competent person.

WARNING: It is hazardous for anyone other than a competent person to carry out any service or repair operation which

involves the removal of a cover which gives protection against exposure to microwave energy.

WARNING: Liquids and other foods must not be heated in sealed containers since they are liable to explode.

- The oven should be cleaned regularly and any food deposits removed.
- There should be min 20 cm free space above the top surface of the oven.
- Do not over-cook foods; otherwise, you may cause a fire.
- Do not use chemicals and steam assisted cleaners to clean the appliance.
- Extreme caution is advised when being used near children and persons who are restricted in their physical, sensory or mental abilities.

1 Important safety and environmental instructions

- This appliance can be used by the children who are at the age of 8 or over and by the people who have limited physical, sensory or mental capacity or who do not have knowledge and experience, as long as they are supervised with regard to safe use of the product or they are instructed accordingly or understand the risks of using the product. Children should not play with the appliance. Cleaning and user maintenance shall not be made by children unless they are older than 8 and supervised.
- **Danger of choking!** Keep all the packaging materials away from children.
- Due to excessive heat that arises in grill and combination modes, children should only be allowed to use these modes under supervision of an adult.
- Keep the product and its power cable so that they are inaccessible by children under 8 years old.
- Do not cook food directly on the glass tray. Put the food in / on appropriate kitchen utensils before placing them in the oven.
- Metallic containers for food and beverages are not allowed during microwave cooking. Otherwise, sparking may occur.
- Microwave oven must not be placed in a cabinet that is not in compliance with the installation instructions.
- Microwave oven is intended for built-in use only.
- If built-in appliances being used equal or hig-

1 Important safety and environmental instructions

her than 900 mm above the floor, care should be taken not to displace the turntable when removing containers from the appliance.

- If the built-in product is in a cabinet with a door, the product must be operated with the cabinet door open.
- Failure to maintain the oven in a clean condition could lead to deterioration of the surface that could adversely affect the life of the appliance and possibly result in a hazardous situation.
- The appliance shall not be cleaned with a steam cleaner.
- Microwave heating of beverages can result in delayed eruptive boiling, therefore care must be taken when handling the container.

- **Cleaning:** Do not place the appliance in water or other liquids. Clean the housing only with a sponge/cloth moistened in warm, soapy water. Do not use harsh, abrasive cleaners. See for the **Cleaning and care** and **Storage** detailed cleaning instructions.

1.2 Compliance with the WEEE Directive and Disposing of the Waste Product:

This product complies with EU WEEE Directive (2012/19/EU). This product bears a classification symbol for waste electrical and electronic equipment (WEEE).



This symbol indicates that this product shall not be disposed with other household wastes at the end of its service life.

Used device must be returned to official collection point for recycling of electrical and electronic devices. To find these collection systems please contact to your local authorities or retailer where the product was purchased. Each household performs important role in recovering and recycling of old appliance. Appropriate disposal of used appliance helps prevent potential negative consequences for the environment and human

1 Important safety and environmental instructions

health.

1.3 Compliance with RoHS Directive

The product you have purchased complies with EU RoHS Directive (2011/65/EU). It does not contain harmful and prohibited materials specified in the Directive.

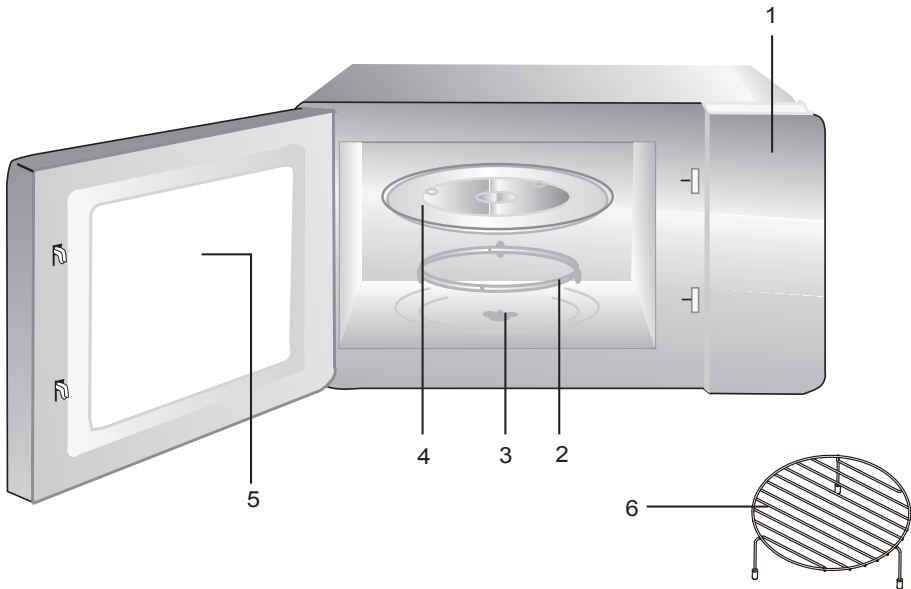
1.4 Package information



Packaging materials of the product are manufactured from recyclable materials in accordance with our National Environment Regulations. Do not dispose of the packaging materials together with the domestic or other wastes. Take them to the packaging material collection points designated by the local authorities.

2 Your microwave oven

2.1 Overview



Controls and parts

1. Control panel
2. Turntable ring assembly
3. Turntable shaft
4. Glass tray
5. Oven door
6. Grill Rack(Only be used in grill function and be placed on the glass tray)

2.2 Technical data

Rated voltage	230 V~50 Hz
Rated input (Microwave)	1450 W
Rated output (Microwave)	900 W
Grill power	1000 W
Microwave frequency	2450 MHz
Oven capacity	25 Liter
Net weight	17.83 kg
External dimensions	594*403*380 mm

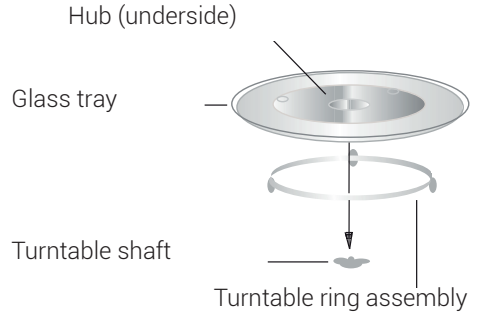
Technical and design modification rights are reserved.

Markings on the product or the values stated in other documents supplied with the product are values obtained under laboratory conditions as per relevant standards. These values may vary according to the usage of the appliance and ambient conditions. Power values are tested at 230V.

2 Your microwave oven

2.3 Turntable installation

- Never place the glass tray upside down. The glass tray should never be restricted.
- Both glass tray and turntable support must always be used during cooking.
- All food and containers of food must always place on the glass tray for cooking.
- If glass tray or turntable support crack or break, contact your nearest authorized service center.



3 Installation and connection

3.1 Installation and connection

- Remove all packing material and accessories. Examine the oven for any damage such as dents or broken door. Do not install if oven is damaged.
- Remove any protective film found on the microwave oven cabinet surface.
- Do not remove the light brown Mica cover that is attached to the oven cavity to protect the magnetron.
- This appliance has been designed for domestic use only.
- This oven is intended for built-in use only. It is not intended for counter-top use or for use inside a cabinet.
- Please observe the special installation instructions.
- The appliance can be installed in a 60 cm wide wall-mounted cabinet (at least 55 cm deep and 85 cm off the floor).
- The appliance is fitted with a plug and must only be connected to a properly installed grounded socket.
- The mains voltage must correspond to the voltage specified on the rating plate.

- If the plug is no longer accessible after installation, an all-pole isolating switch must be present on the installation side with a contact gap of at least 3 mm.
- Adapters, multi-way sockets and extension cords must not be used. Overloading can result with a risk of fire.



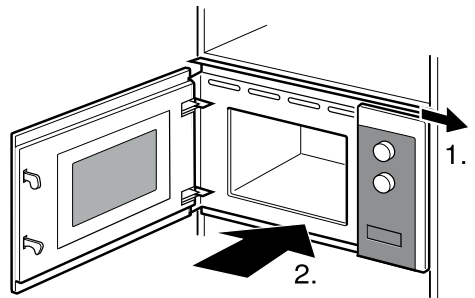
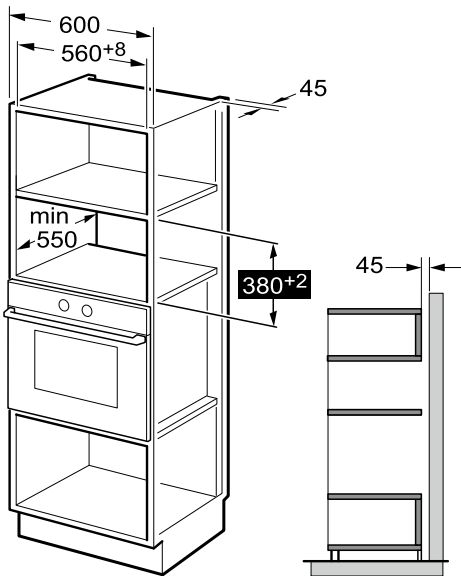
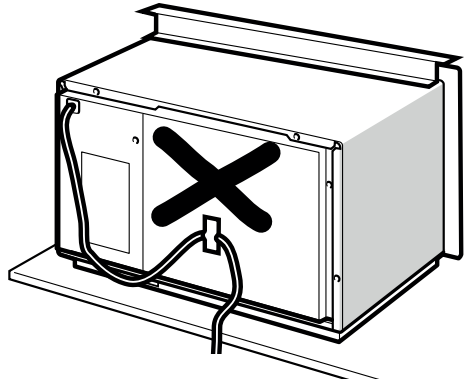
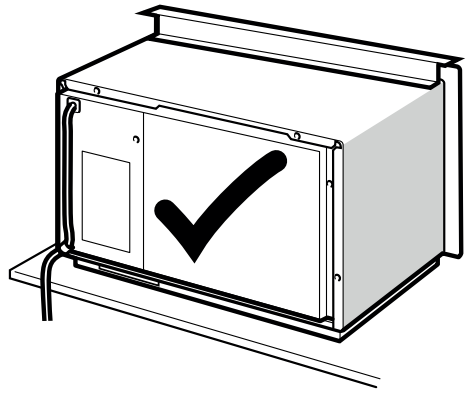
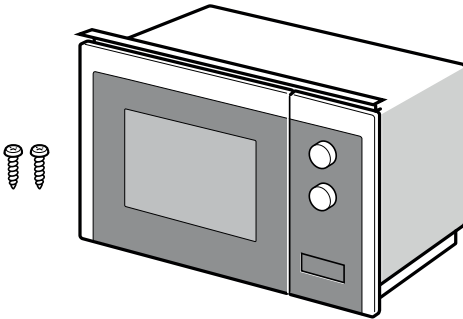
The accessible surface may be hot during operation.



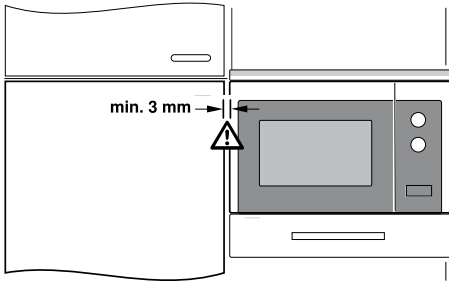
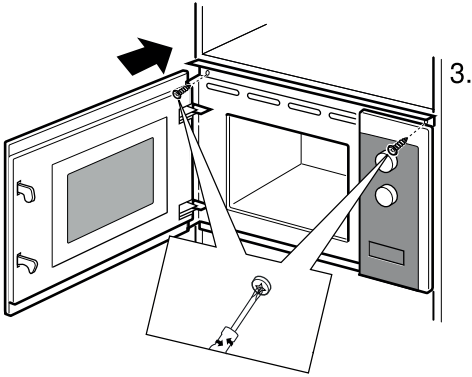
Do not trap or bend the power cable.

3 Installation and connection

3.2 Built-in installation

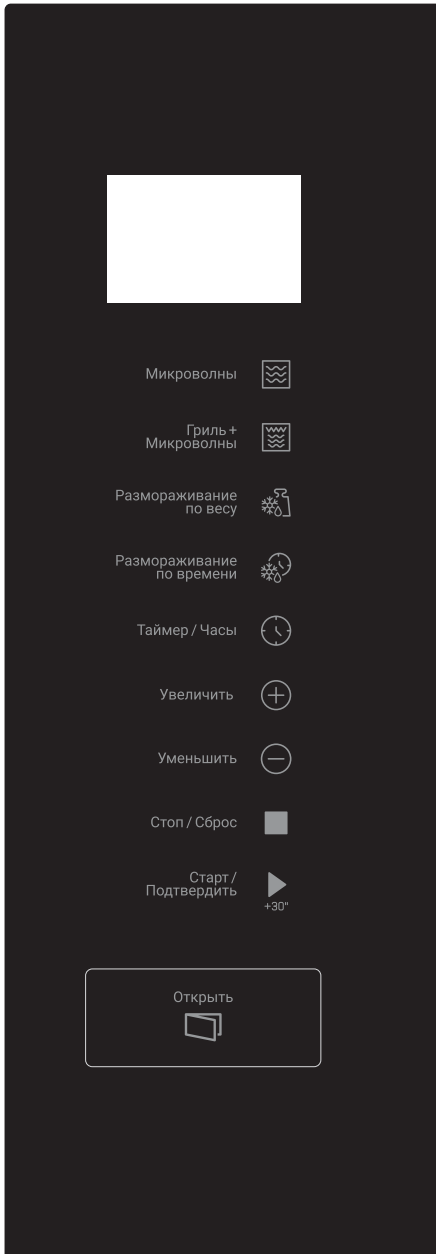


3 Installation and connection



4 Operation

4.1 Control panel



4.2 Clock setting

When the microwave oven is electrified, the oven will display "0:00", buzzer will ring once. The oven will enter to waiting state.

1. Press "Таймер/Часы" twice, the hour figures will flash;
2. Press "+" or "-" to adjust the hour figures, the input time should be within 0--23.
3. Press "Таймер/Часы" to confirm, the minute figures will flash.
4. Turn "+" or "-" to adjust the minute figures, the input time should be within 0--59.
5. Press "Таймер/Часы" to finish clock setting. ":" will flash. The current time will display.



If the clock is not set, it would not function when powered.

4.3 Microwave cooking

1. Press the "Микроволны" key once, and "P100" will display.
2. Press "Микроволны" repeatedly or press "+" or "-" to select the microwave power. "P100", "P80", "P50", "P30", "P10" will display in order.
3. Press "Старт/Подтвердить" to confirm setting.
4. Press "+" or "-" to adjust the cooking time. (The maximum cooking time is 95 minutes)
5. Press "Старт/Подтвердить" to start cooking.



If the clock is not set, it will not work when powered.

4 Operation

The steps for setting the time with the "+" or "-" keys are as follows:

Setting the duration	Increment amount
0-1 minute	5 seconds
1-5 minutes	10 seconds
5-10 minutes	30 seconds
10-30 minutes	1 minute
30-95 minutes	5 minutes

Microwave power chart

Display	Microwave Power
P100	High
P80	Med.High
P50	Med.
P30	Me d.Low
P10	Low

4.4 Grill or Combi. cooking

1. Press "Гриль+Микроволны" once, the screen will display "G", and press "Гриль+Микроволны" repeatedly or press "+" or "-" to choose the power you want, and "G", "C-1" or "C-2" will display.
2. Press "Старт/Подтвердить" to confirm the power.
3. Press the "+" or "-" keys to set the cooking time between 0:05 and 95:00.
4. Press "Старт/Подтвердить" again to start cooking.



Example: If you want to use 55% microwave power and 45% grill power(C-1) to cook for 10 minutes, you can operate the oven as the following steps.

1. Press "Гриль+Микроволны" once, the screen displays "G".

2. Continue to press "Гриль+Микроволны" until the screen displays "C-1".

3. Press "Старт/Подтвердить" to confirm.

4. Press "+" or "-" to adjust the cooking time until the oven displays "10:00".

5. Press "Старт/Подтвердить" to start cooking.

Combination power instructions:

Program	Display	Microwave power	Grill power
Grill	G	%0	%100
Combi.1	C-1	%55	%45
Combi.2	C-2	%36	%64



If half the grill time passes, the oven sounds twice, and this is normal. In order to have a better effect of grilling food, you should turn the food over, close the door, and then press "Старт/Подтвердить" to continue cooking. If no operation, the oven will continue working.

4.5 Defrost by weight

1. Press "Размораживание по весу" once, the screen will display "dEF1".
2. Press "+" or "-" to select the food weight. The range of weight is 100-2000g.
3. Press "Старт/Подтвердить" key to start defrosting.



If half the defrost time passes, the oven sounds twice, and this is normal. In order to have a better effect of defrosting, you should turn the food over, close the door, and then press "Старт/Подтвердить" to continue cooking. If no operation, the oven will continue working.

4.6 Defrost by time

1. Press "Размораживание по времени" once, the screen will display "dEF2".
2. Press "+" or "-" to select the cooking time. The maximum time is 95 minutes.
3. Press "Старт/Подтвердить" key to start defrosting.



If half the defrost time passes, the oven sounds twice, and this is normal. In order to have a better effect of defrosting, you should turn the food over, close the door, and then press "Старт/Подтвердить" to continue cooking. If no operation, the oven will continue working.

4.7 Multi-Stage cooking

2 stages can be maximumly set. If one stages is defrosting, it should be put in the first stage automatically. The buzzer will ring once after each stage and the next stage will begin.



Auto menu and speedy cooking cannot be set as one of the multi-stage.



Example: If you want to defrost the food for 5 minutes, then to cook with 80% microwave power for 7 minutes. The steps are as following.

1. Press "Размораживание по времени" once, the screen will display "dEF2".
2. Press "+" or "-" to adjust the defrost time of 5 minutes.
3. Press "Микроволны" once, the screen will display "P100".
4. Press "Микроволны" repeatedly to choose microwave power till "P80" displays
5. Press "Старт/Подтвердить" to confirm.
6. Press "+" or "-" to adjust the cooking time of 7 minutes.
7. Press "Старт/Подтвердить" to start cooking.

4.8 Kitchen timer (counter)

Your oven is equipped with an automatic counter which is not linked with the oven functions and can be used separately at the kitchen (it can be set to max. 95 minutes.)

1. Press "Таймер/Часы" once, the screen will display "00:00".
2. Press "+" or "-" to enter the correct timer. (The maximum cooking time is 95 minutes)
3. Press "Старт/Подтвердить" to confirm setting.
4. When the countdown from the entered time reaches to 00:00, the buzzer will ring for 5 times. If the time is set (24-hour system), current time will be displayed in LED screen.

4 Operation



Kitchen timer functions different than 24-hours system. Kitchen timer is just a timer.

4.9 Auto menu

1. In waiting state, press "+" repeatedly to choose the menu.
2. Press "Старт/Подтвердить" to confirm the menu you choose.
3. Press "+" or "-" to choose the food weight.
4. Press "Старт/Подтвердить" to start cooking.

The menu chart

Display	Menu	Weight	Power
A 1	Pizza	200 g	C-2
		400 g	
A 2	Meat	250 g	100%(Mic.)
		350 g	
		450 g	
A 3	Vegetable	200 g	100%(Mic.)
		300 g	
		400 g	
A 4	Pasta	50 g (with 450g cold water)	80%(Mic.)
		100 g (with 800g cold water)	
A 5	Potato	200 g	100%(Mic.)
		400 g	
		600 g	
A 6	Fish	250 g	80%(Mic.)
		350 g	
		450 g	

A 7	Beverage	1 cup (about 120ml)	100%(Mic.)
		2 cups (about 240ml)	
		3 cups (about 360ml)	
A 8	Popcorn	50 g	100%(Mic.)
		100 g	

4.10 Speedy cooking

1. In waiting state, press "Старт/Подтвердить" key to cook with 100% power level for 30 seconds. Each press on the same key can increase 30 seconds. The maximum cooking time is 95 minutes.
2. During the microwave, grill, combination cooking and the defrost by time process, press "Старт/Подтвердить" to increase the cooking time.
3. Under the states of auto menu and defrost by weight, cooking time cannot be increased by pressing "Старт/Подтвердить".
4. In waiting state, press "-" to choose the cooking time. After adjusting the cooking time, press "Старт/Подтвердить" to start microwave cooking with 100% power lever.

4.11 Inquiring function

1. In cooking states of microwave or grill and combination. Press "Микроволны" or "Гриль+Микроволны", the current power will be displayed for 3 seconds.
2. If the clock has been set, during cooking state, press "Таймер/Часы" to check the current time. It will be displayed for 3 seconds.

4 Operation

4.12 Child lock

1. **Lock:** In waiting state, press “Стоп/Сброс” for 3 seconds to enter the children-lock state and the current time will display if the time has been set, otherwise, the screen will display “:::”.
2. **Lock quitting:** In locked state, press “Стоп/Сброс” for 3 seconds, the lock is released.

4.13 Specification

1. If the door is opened in the process of cooking, close the door and then press

“Старт/Подтвердить” to continue cooking.

2. Once the cooking programme has been set, “Старт/Подтвердить” is not pressed in 1 minutes. The current time will be displayed. The setting will be cancelled.
3. The buzzer sounds once by efficient press, inefficient press will be no response.

4.14 Open the oven door

Press “Открыть” button, the oven door will open.

5 Cleaning and care

5.1 Cleaning and care



WARNING: Never use gasoline, solvent, abrasive cleaning agents, metal objects or hard brushes to clean the appliance.



WARNING: Never immerse the appliance or its power cable in water or in any other liquid.

1. Turn off the oven and remove the power plug from the wall socket before cleaning.
2. Wait for the appliance to completely cool down.
3. Keep the inside of the oven clean. When food splatters or spilled liquids adhere to oven walls, wipe with a damp cloth. Mild detergent may be used if the oven gets very dirty. Avoid the use of spray and other harsh cleaners as they may stain, streak or dull the door surface.
4. The outside surfaces should be cleaned with a damp cloth. To prevent damage to the operating parts inside the oven, water should not be allowed to seep into the ventilation openings.
5. Wipe the both sides of the door and window, the door seals and adjacent parts frequently with a damp cloth to remove any spills or spatters. Do not use abrasive cleaner.
6. A steam cleaner is not be used.
7. Do not allow the control panel to become wet. Clean with a soft, damp cloth. When cleaning the control panel, leave oven door open to prevent oven from accidentally turning on.
8. If steam accumulates inside or around the outside of the oven door, wipe with a soft cloth. This may occur when the microwave oven is operated under high humidity condition. And it is normal.

5 Cleaning and care

9. It is occasionally necessary to remove the glass tray for cleaning. Wash the tray in warm sudsy water or in a dishwasher.
 10. The roller ring and oven floor should be cleaned regularly to avoid excessive noise. Simply wipe the bottom surface of the oven with mild detergent. The roller ring may be washed in mild sudsy water or dishwasher. When removing the roller ring from cavity floor for cleaning, be sure to replace in the proper position.
 11. Remove odors from your oven by combining a cup of water with the juice and skin of one lemon in a deep microwaveable bowl, microwave for 5 minutes. Wipe thoroughly and dry with a soft cloth.
 12. When it becomes necessary to replace the oven light, please consult a dealer to have it replaced.
 13. Please do not dispose this appliance into the domestic rubbish bin; it should be disposed to the particular disposal center provided by the municipalities.
 14. When the microwave oven with grill function is first used, it may produce slight smoke and smell. This is a normal phenomenon because the oven is made of a steel plate coated with lubricating oil, and the new oven will produce fumes and odor generated by burning the lubricating oil. This phenomenon will disappear after a period of using.
- is unplugged, cooled down and totally dry.
- Store the appliance in a cool and dry place.
 - Keep the appliance out of the reach of children.

5.3 Handling and transportation

- During handling and transportation, carry the appliance in its original packaging. The packaging of the appliance protects it against physical damages.
- Do not place heavy loads on the appliance or the packaging. The appliance may be damaged.
- Dropping the appliance will render it non-operational or cause permanent damage.

5.2 Storage

- If you do not intend to use the appliance for a long time, please store it carefully.
- Please make sure that the appliance

6 Troubleshooting

Problem	Possible Reason	Solution
Oven cannot be started.	1) Power cable is not plugged in properly.	Unplug. Then plug again after 10 seconds.
	2) Fuse is blown or circuit breaker is activated.	Replace fuse or reset circuit breaker (repaired by professional personnel of our company).
	3) Trouble with outlet.	Test the outlet with other electrical appliances.
Oven does not heat.	4) Door is not closed properly.	Close the door properly.
If none of the above rectifies the situation, then contact a qualified technician. Do not try to adjust or repair the oven yourself.		

Hotpoint

Микроволновая печь
Руководство пользователя



MF25G BL H

RU

Ознакомьтесь с этим руководством перед началом эксплуатации!

Уважаемый покупатель!

Благодарим Вас за выбор этого изделия компании Hotpoint. Мы надеемся, что продукция, изготовленная на современном оборудовании и имеющая высокий уровень качества, будет служить вам наилучшим образом. Для этого, перед началом эксплуатации, внимательно прочтите данное руководство и все прочие сопроводительные документы, и используйте их в дальнейшем в справочных целях. При передаче устройства другому лицу необходимо также передать это руководство. Соблюдайте указания, которые даны в этом руководстве пользователя, и обращайтесь особое внимание на справочные пометки и предупреждения.

Имейте в виду, что данное руководство пользователя может также относиться к другим моделям. Различия между моделями четко описаны в руководстве.

Условные обозначения

В разных разделах данного руководства пользователя используются следующие символы:



Важная информация и полезные советы по использованию.



Предупреждения о ситуациях, опасных для жизни и имущества.



Предупреждение о горячих поверхностях.



Предупреждение об опасности поражения электрическим током.



ПЕРЕРАБОТАННАЯ И
ПЕРЕРАБАТЫВАЕМАЯ
БУМАГА

1 Важные инструкции по безопасности и охране окружающей среды

Важные инструкции по технике безопасности
Внимательно прочитайте и сохраните инструкции для дальнейшего использования.

1.1 Предупреждение о соблюдении техники безопасности

Этот раздел содержит инструкции по технике безопасности, которые помогут защититься от риска пожара, поражения электрическим током, вредного воздействия в результате утечки микроволновой энергии, травм или повреждения имущества. В случае неисполнения данных инструкций гарантия аннулируется.

• Микроволновая печь Hotpoint соответствует действующим стандартам безопасности. Поэтому, во избежание опасности, в случае по-

вреждения прибора или кабеля питания необходимо их ремонт/замена дилером, сервисным центром, специалистом или аналогичной авторизованной сервисной службой. Некачественный или неквалифицированный ремонт может повлечь риски и представлять опасность для потребителя.

- Прибор предназначен для использования в домашних условиях и для схожих целей, например:
 - поварским персоналом в магазинах, офисах и других рабочих средах;
 - Фермы
 - Постояльцами в гостиницах и других жилых средах;
 - В заведениях типа (ночлег и завтрак)
- Она не пригодна для промышленного или ла-

1 Важные инструкции по безопасности и охране окружающей среды

бораторного использования.

- Не пытайтесь запустить печь, когда ее дверца открыта, иначе вы можете подвергнуться вредному воздействию микроволновой энергии. Запрещается отключать или взламывать предохранительные замки.
- Микроволновая печь предназначена для подогрева продуктов питания и напитков. Сушка продуктов или одежды, а также подогрев грелок, тапочек, губок, влажных тканей и аналогичных предметов может привести к риску получения травм, возгоранию или пожару.
- Не помещайте никакие предметы между лицевой стороной и дверцей печи. Не допускайте скопления грязи или остатков чистящего средства на закрывающих по-

верхностях.

- Любые работы по обслуживанию, связанные со снятием крышки, обеспечивающей защиту от воздействия микроволновой энергии, должны выполняться уполномоченными лицами/сервисным центром. Любое другое вмешательство опасно.
- Ваш продукт предназначен для приготовления, разогрева и размораживания продуктов в домашних условиях. Его нельзя использовать в коммерческих целях.
- Ваша печь не предназначена для сушки живых существ.
- Не используйте прибор для сушки одежды или кухонных полотенец.
- Не используйте этот прибор на открытом воздухе, в ванных комнатах, во влажной среде или в

местах, где он может намокнуть.

- Никакая ответственность или гарантийные претензии не принимаются за ущерб, возникший в результате неправильного использования или неправильного обращения с прибором.
- Не пытайтесь проводить ремонт прибора самостоятельно. Претензии по гарантии не принимаются в случае повреждений, вызванных ненадлежащим обращением.
- Используйте только оригинальные детали или детали, рекомендованные производителем.
- Не оставляйте изделие без присмотра во время работы.
- Всегда используйте прибор на устойчивой, ровной, чистой, сухой и нескользкой поверхности.
- Запрещается использовать прибор с внешним таймером или отдельной системой дистанционного управления.
- Перед первым использованием прибора очистите все детали. Смотрите подробности, приведенные в разделе (Очистка и обслуживание).
- Используйте прибор строго по назначению, как описано в данном руководстве.
- Во время работы прибор сильно нагревается. Следите за тем, чтобы не прикасаться к горячим частям внутри печи.
- Не допускайте работы печи, когда она пустая.
- Посуда может нагреться из-за тепла, передаваемого от нагретой пищи к посуде. Вам могут понадобиться перчатки для печи, чтобы держать по-

1 Важные инструкции по безопасности и охране окружающей среды

суду.

- Необходимо проверять, подходит ли посуда для ее помещения в микроволновую печь.
- Не ставьте печь на плиты или другие приборы, вырабатывающие тепло. В противном случае она может быть повреждена, и гарантия станет недействительной.
- При открытии крышек или фольги после приготовления пищи может выходить пар.
- Во время использования прибор и его доступные поверхности могут быть очень горячими.
- Дверца и внешнее стекло могут быть очень горячими во время использования прибора.
- Убедитесь, что ваш сетевой блок питания соответствует требованиям, приведенным на табличке прибора.
- Единственный способ отключить прибор от электросети - вынуть вилку из розетки.
- Используйте прибор только с заземленной розеткой.
- Никогда не используйте оборудование, если поврежден кабель питания или сам прибор.
- Не используйте прибор с удлинителем.
- Никогда не прикасайтесь к устройству или его вилке влажными или мокрыми руками.
- Размещайте прибор таким образом, чтобы всегда обеспечивался доступ к вилке.
- Не допускайте повреждения кабеля питания: не сжимайте, не сгибайте и не допускайте его трения об острые предметы. Держите кабель питания вдали от горячих поверхностей и

открытого пламени.

- Убедитесь, что нет опасности, что шнур питания может быть случайно выдернут или кто-то может споткнуться о него во время использования прибора.
- Отключайте прибор от сети перед каждой чисткой и в нерабочее время.
- Не тяните за шнур питания устройства, чтобы отключить его от источника питания, и никогда не наматывайте шнур питания вокруг устройства.
- Не погружайте прибор, шнур питания или вилку в воду или другие жидкости. Не держите его под струей воды.
- В случае подогревания продуктов в пластиковых или бумажных контейнерах следить за печью в связи с возможностью воспламенения.
- Перед помещением пакетов в печь снимите проволочные завязки и/или металлические ручки с бумажных или пластиковых пакетов.
- Если наблюдается дым, выключите или отключите прибор от сети, если это безопасно, и держите дверцу закрытой, чтобы погасить пламя.
- Не используйте микроволновую печь для хранения. Не оставляйте бумажные предметы, продукты для приготовления пищи или продукты внутри печи, когда она не используется.
- Содержимое бутылочек для кормления и банок с детским питанием должно быть перемешано, либо необходимо встряхнуть эти бутылочки или баночки, а также перед употреблением следует проверить температуру во избежа-

1 Важные инструкции по безопасности и охране окружающей среды

ние ожогов.

- Данное изделие относится к оборудованию ПНМ Группы 2 Класса В. Группы 2, включает все оборудование ПНМ (ISM, Industrial, Scientific and Medical / промышленное, научное и медицинское), в котором радиочастотная энергия генерируется и / или используется в форме электромагнитного излучения для обработки материалов, а также электроэрозионное оборудование.
- Оборудование класса В подходит для использования в домашних условиях и в учреждениях, напрямую подключенных к низковольтной электросети.
- Не используйте растительное масло в печи. Горячее масло может повредить компоненты и материалы печи и даже

вызвать ожоги кожи.

- Прокалывайте продукты с толстой коркой, например картофель, кабачки, яблоки и каштаны.
- Прибор нужно ставить тыльной стороной к стене.
- Перед перемещением прибора зафиксируйте тарелку, чтобы не повредить ее.
- Яйца в скорлупе и яйца, сваренные вкрутую, не следует подогреть в микроволновой печи, так как они могут взорваться (даже после завершения подогрева).

ПРЕДУПРЕЖДЕНИЕ:

Если дверцы или дверные уплотнения повреждены, эксплуатация печи не допускается, пока она не будет отремонтирована квалифицированным специалистом.

ПРЕДУПРЕЖДЕНИЕ:

Осуществление обслуживания или иных ре-

1 Важные инструкции по безопасности и охране окружающей среды

монтажных операций, предполагающих снятие крышки, предназначенной для защиты от воздействия микроволновой энергии, лицом, не являющимся компетентным специалистом, представляет опасность.

ПРЕДУПРЕЖДЕНИЕ: Жидкости и другие продукты не должны подогреваться в плотно закрытых контейнерах, так как последние могут взорваться.

- Чистка данной печи должна осуществляться регулярно, при этом необходимо удалять любые остатки продуктов.
- Над верхней поверхностью печи должно быть не менее 20 см свободного пространства.
- Не переваривайте пищу, иначе вы можете вызвать пожар.
- Не используйте химические вещества и чистящие средства с паром

для очистки прибора.

- Рекомендуется соблюдать крайнюю осторожность при использовании рядом с детьми и людьми с ограниченными физическими, сенсорными или умственными способностями.
- Этим прибором могут пользоваться дети в возрасте 8 лет и старше, а также люди с ограниченными физическими, сенсорными или умственными способностями или люди, не обладающие знаниями и опытом, если они находятся под присмотром в отношении безопасного использования продукта или если они проинструктированы соответствующим образом или осознают риски использования продукта. Дети не должны играть с данным прибором. Очистка и техническое обслужи-

1 Важные инструкции по безопасности и охране окружающей среды

вание не должны выполняться детьми, если они младше 8 лет и не находятся под присмотром.

• **Опасность удушья!**

Храните все упаковочные материалы в недоступном для детей месте.

• Из-за чрезмерного нагрева, возникающего в режиме гриля и комбинированном режиме, детям разрешается использовать эти режимы только под присмотром взрослых.

• Храните изделие и шнур питания в недоступном для детей младше 8 лет месте.

• Не готовьте еду прямо на стеклянной тарелке. Поместите продукты в соответствующие кухонные принадлежности, прежде чем помещать их в печь.

• Использование металлических контейнеров

для еды и напитков во время приготовления в микроволновой печи запрещено. В противном случае может возникнуть искрение.

• Микроволновую печь нельзя размещать в шкафу, который не соответствует инструкциям по установке.

• Микроволновая печь предназначена только для встраивания.

• Если встраиваемые приборы используются на высоте 900 мм над полом или выше, следует соблюдать осторожность, чтобы не смещать поворотную тарелку при извлечении контейнеров из прибора.

• Если встраиваемый продукт находится в шкафу с дверцей, продукт должен работать с открытой дверцей шкафа.

• Если микроволновую

1 Важные инструкции по безопасности и охране окружающей среды

печь не содержать в чистоте, это может привести к порче поверхности, что может отрицательно сказаться на сроке службы прибора и, возможно, привести к возникновению опасной ситуации.

- Запрещается чистить прибор пароочистителем.
- Нагрев напитков в микроволновой печи может привести к задержке закипания, поэтому необходимо соблюдать осторожность при обращении с контейнером.
- **ВНИМАНИЕ:** Когда прибор работает в комбинированном режиме, из-за создаваемой температуры дети должны пользоваться печью только под присмотром взрослых.
- **Очистка:** Не погружайте прибор в воду или дру-

гие жидкости. Очищайте корпус только губкой/салфеткой, смоченной в теплой мыльной воде. Не используйте жесткие, абразивные чистящие средства. Подробные инструкции по очистке см. в разделах **Чистка и уход** и **Хранение**.

1.2 Соответствие требованиям Директивы WEEE (директива ЕС об отходах электрического и электронного оборудования) и утилизация отработавшего прибора:

Данное устройство соответствует Директиве ЕС WEEE по ограничению использования вредных веществ (2012/19/EU). Данный прибор имеет классификационный знак для отработанного электрического и электронного оборудования (WEEE).



Такой знак означает, что после завершения эксплуатации прибор запрещается выбрасывать вместе с прочими бытовыми отходами.

Использованное устройство необходимо вернуть в официальный пункт приема утилизируемых электрических и электронных устройств. Чтобы найти такие системы приема утиля, обратитесь в местные уполномочен-

ные органы или к розничным продавцам, у которых был приобретен продукт. Каждое домашнее хозяйство выполняет важную роль в восстановлении и утилизации старого оборудования. Надлежащая утилизация отработавшего устройства позволяет предотвратить возможные негативные последствия для окружающей среды и здоровья человека.

1.3 Соответствие требованиям Директивы RoHS

Приобретенный Вами прибор соответствует требованиям Директивы RoHS EC (2011/65/EU). В нем не содержится вредных и запрещенных материалов, указанных в данной Директиве.

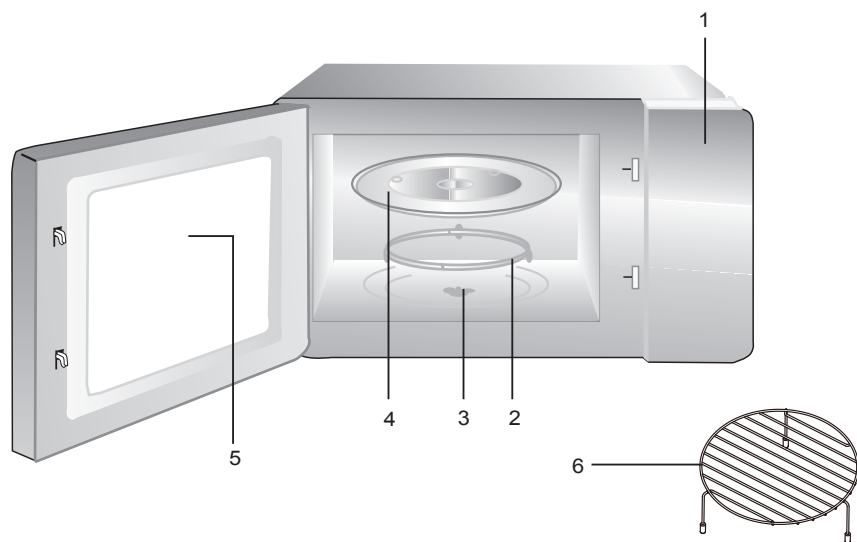
1.4 Информация об упаковке



Материалы упаковки устройства произведены из перерабатываемого сырья в соответствии с нашими национальными нормами по защите окружающей среды. Запрещается выбрасывать упаковочные материалы вместе с бытовыми и другими отходами. Отправьте их в точки сбора упаковочных материалов, указанные местными органами власти.

2 Ваша микроволновая печь

2.1 Обзор



Элементы управления и детали

1. Панель управления
2. Кольцо поворотного стола
3. Шпиль поворотного подноса
4. Стеклоплат тарелки
5. Дверца печи
6. Подставка для гриля (использовать только в режиме гриля и ставить на стеклянный поднос).

2.2 Технические данные

Номинальное напряжение	230 В~50 Гц
Номинальная потребляемая мощность (микроволны)	1450 Вт

Номинальная выходная мощность (микроволны)	900 Вт
Мощность гриля	1000 Вт
Микроволновая частота	2450 МГц
Вместимость печи	25 литров
Масса нетто	17,83 кг
Внешние размеры	594*403*380 мм

Права на технические и дизайнерские изменения защищены.

Маркировка на приборе или значения, указанные в других прилагаемых к нему документах, получены в лабораторных условиях согласно соответствующим стандартам. Эти значения могут меняться в зависимости от использования прибора и условий окружающей среды. Значения мощности проверены при 230 В.

2 Ваша микроволновая печь

2.3 Установка поворотного столика

- Не устанавливайте стеклянный поднос вверх дном. Не зажимайте его.
- Во время приготовления всегда следует использовать как стеклянный поднос, так и подставку для поворотного столика.
- Продукты в контейнерах должны помещаться на стеклянный поднос.
- Если стеклянный поднос или опора поворотного ролика треснуты или разбиты, обратитесь в ближайший авторизованный сервисный центр.



3 Установка и соединение

3.1 Установка и соединение

- Снимите все упаковочные материалы и принадлежности. Осмотрите печь на наличие повреждений, таких как вмятины или сломанная дверь. Не устанавливайте печь, если она повреждена.
- Удалите любую защитную пленку, обнаруженную на поверхности шкафа микроволновой печи.
- Не снимайте светло-коричневую слюдяную пластину, прикрепленную к полости духовки, для защиты магнетрона.
- Это устройство предназначено только для домашнего применения.
- Эта печь предназначена только для встраивания. Она не предназначена для использования на столешнице или внутри шкафа.
- Соблюдайте специальные инструкции по установке.
- Прибор можно установить в настенный шкаф шириной 60 см (глубиной не менее 55 см и на расстоянии 85

см от пола).

- В данном устройстве имеется штепсель, который должен включаться в должным образом заземленную розетку.
- Напряжение сети должно соответствовать напряжению, указанному на заводской табличке.
- Если после установки вилка становится недоступной, со стороны установки должен быть установлен переключатель на всех полюсах с зазором между контактами не менее 3 мм.
- Запрещается использовать переходники, тройники и удлинительные шнуры. Перегрузка может привести к риску возгорания.



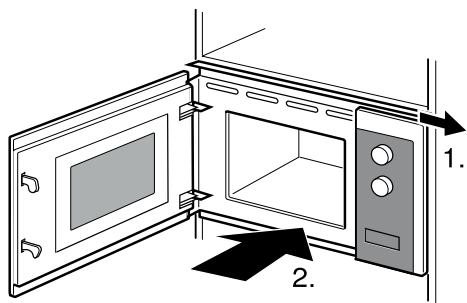
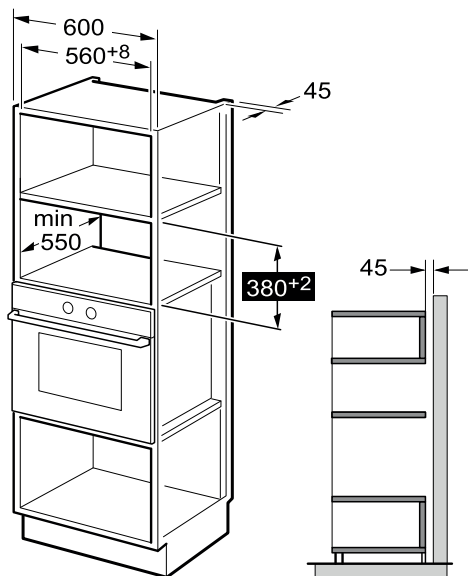
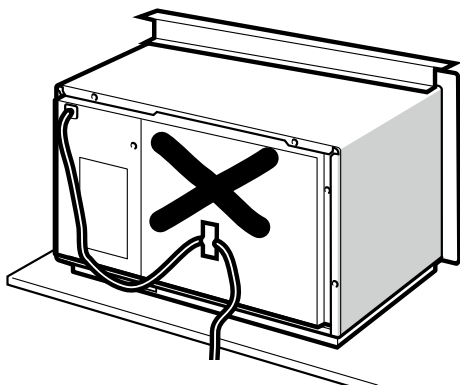
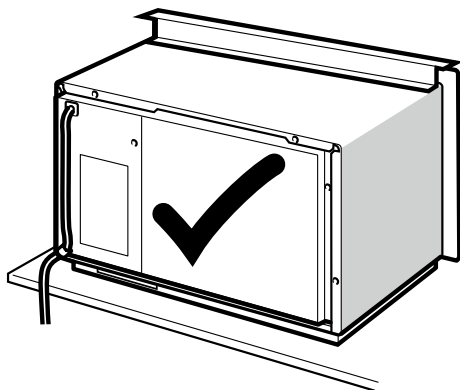
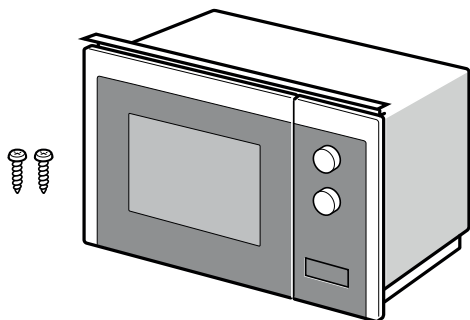
Доступные поверхности могут во время работы печи нагреваться до высокой температуры.

3 Установка и соединение

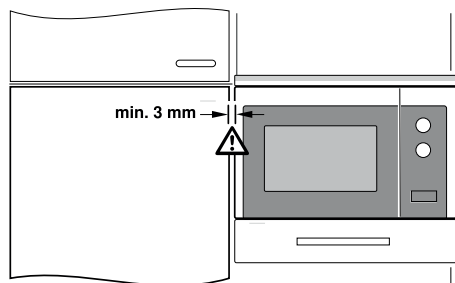
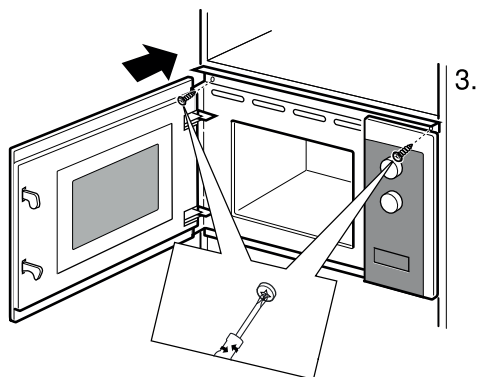


Не заземляйте и не перегибайте шнур питания.

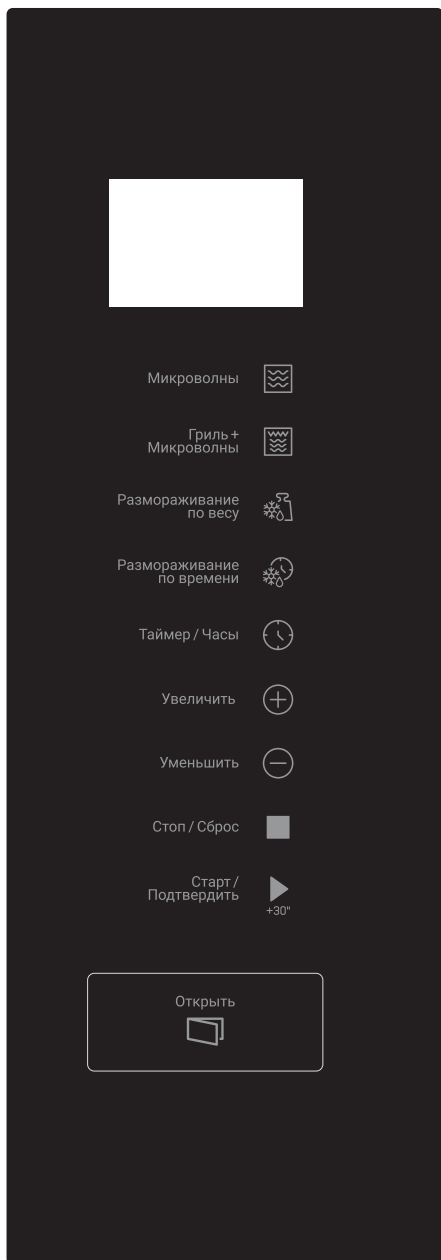
3.2 Встроенная установка



3 Установка и соединение



4.1 Панель управления



4.2 Установка времени

Когда микроволновая печь будет подключена к источнику питания, на печи отобразятся цифры "0:00", и будет подан однократный звуковой сигнал. Печь перейдет в состояние ожидания.

- 1.Нажмите "Таймер/Часы" два раза, цифры, обозначающие часы, начнут мигать;
- 2.Нажмите "+" или "-", чтобы настроить часы; время ввода должно быть в пределах от 0 до 23.
- 3.Для подтверждения нажмите "Таймер/Часы", цифры, обозначающие минуты, начнут мигать.
- 4.Поверните "+" или "-" для настройки минут, время ввода должно быть в пределах 0-59.
- 5.Нажмите "Таймер/Часы", чтобы завершить настройку часов. Будет мигать символ ":". Будет отображено текущее время.



Если часы не будут настроены, то они не будут функционировать во время работы.

4.3 Приготовление пищи в микроволновой печи

- 1.Нажмите кнопку "Микроволны" один раз, и на дисплее появится "P100".
- 2.Нажмите "Микроволны" несколько раз или нажмите "+" или "-", чтобы выбрать мощность микроволн. "P100", "P80", "P50", "P30", "P10" будут отображаться по порядку.
- 3.Нажмите "Старт/Подтвердить" для подтверждения настройки.
- 4.Нажмите "+" или "-", чтобы установить время приготовления. (Максимальное время пригото-

4 Использование

ния составляет 95 минут)

5.Нажмите “Старт/Подтвердить”, чтобы начать приготовление.



Если часы не будут настроены, то они не будут функционировать во время работы.

Действия по установке времени с помощью клавиш “+” или “-” следующие:

Настройка длительности	Прибавление
0-1 минута	5 секунд
1-5 минут	10 секунд
5-10 минут	30 секунд
10-30 минут	1 минута
30-95 минут	5 минут

Таблица мощностей микроволнового нагрева

Экран	Мощность микроволнового нагрева
P100	Высокий уровень
P80	Сред. Высокий
P50	Сред.
P30	Сред.низкий
P10	Низкий уровень

4.4 Гриль и комбинированное приготовление

1.Нажмите “Гриль+Микроволны”. один раз, на экране отобразится “G”, и нажмите “Гриль+Микроволны”. несколько раз или нажмите “+” или “-”, чтобы выбрать нужную мощность, и отобразится “G”, “C-1” или “C-2”.

2.Нажмите “Старт/Подтвердить” для подтверждения мощности.

3.Нажмите кнопки “+” или “-”, чтобы установить время приготовления между 0:05 и 95:00.

4.Нажмите “Старт/Подтвердить” еще раз, чтобы начать приготовление.



Пример: Если вы хотите использовать мощность микроволнового излучения 55% и мощность гриля 45% (C-1) для приготовления в течение 10 минут, вы можете управлять печью следующим образом.

1.Нажмите один раз “Гриль+Микроволны”, на экране отобразится “G”.

2.Продолжайте нажимать “Гриль+Микроволны”, пока на экране не отобразится “C-1”.

3.Нажмите “Старт/Подтвердить” для подтверждения.

4.Нажмите “+” или “-”, чтобы настроить время приготовления, пока на дисплее печи не появится “10:00”.

5.Нажмите “Старт/Подтвердить”, чтобы начать приготовление.

Инструкции по комбинированной мощности:

Про-грамма	Экран	Мощность микроволнового нагрева	Гриль Мощность
Гриль	G	%0	%100
Combi.1	C-1	%55	%45
Combi.2	C-2	%36	%64



После истечения половины установленного времени в режиме гриля будет два раза подан звуковой сигнал, это нормально. Для обеспечения лучшего эффекта приготовления пищи на гриле следует перевернуть блюдо, закрыть дверцу и нажать “Старт/Подтвердить”, чтобы продолжить процесс приготовления. Если не будет выполнена какая-либо иная операция, печь продолжит работу.

4.5 Размораживание по весу

- 1.Нажмите кнопку “Размораживание по весу” один раз, на экране отражается “dEF1”.
- 2.Нажмите “+” или “-”, чтобы выбрать вес продуктов. Диапазон веса 100-2000г.
- 3.Нажмите кнопку “Старт/Подтвердить”, чтобы начать размораживание.



После истечения половины установленного времени размораживания будет два раза подан звуковой сигнал, это нормально. Для обеспечения лучшего эффекта размораживания следует перевернуть блюдо, закрыть дверцу и нажать “Старт/Подтвердить”, чтобы продолжить процесс приготовления. Если не будет выполнена какая-либо иная операция, печь продолжит работу.

4.6 Размораживание по времени

- 1.Нажмите кнопку “Размораживание по времени” один раз, на экране отражается “dEF2”.
- 2.Нажмите “+” или “-”, чтобы выбрать время приготовления. Максимальное время — 95 минут.
- 3.Нажмите кнопку “Старт/Подтвердить”, чтобы начать размораживание.



После истечения половины установленного времени размораживания будет два раза подан звуковой сигнал, это нормально. Для обеспечения лучшего эффекта размораживания следует перевернуть блюдо, закрыть дверцу и нажать “Старт/Подтвердить”, чтобы продолжить процесс приготовления. Если не будет выполнена какая-либо иная операция, печь продолжит работу.

4.7 Многоступенчатое приготовление

Максимально можно установить 2 ступени. Если одна ступень является разморозкой, она должна быть автоматически переведена на первую. Сигнал прозвучит один раз после каждого этапа, и начнется следующий этап.



Автоматическое меню и быстрое приготовление нельзя установить как одно из многоступенчатых.

4 Использование



Пример: Если вы хотите разморозить пищу в течение 5 минут, а затем приготовить при мощности микроволн 80% в течение 7 минут. Шаги следующие.

- 1.Нажмите кнопку “Размораживание по времени” один раз, на экране отображается “dEF2”.
- 2.Нажмите “+” или “-”, чтобы установить время размораживания 5 минут.
- 3.Однократно нажмите “Микроволны”, на экране отобразится “P100”.
- 4.Нажимайте “Микроволны” несколько раз, чтобы выбрать мощность микроволн до появления “P80”
- 5.Нажмите “Старт/Подтвердить” для подтверждения.
- 6.Нажмите “+” или “-”, чтобы установить время приготовления.7 минут.
- 7.Нажмите “Старт/Подтвердить”, чтобы начать приготовление.

4.8 Кухонный таймер (счетчик)

Ваша печь оснащена автоматическим счетчиком, который не связан с функциями печи и может использоваться отдельно на кухне (его можно установить максимум на 95 минут).

- 1.Нажмите “Таймер/Часы” один раз, на экране отобразится “00:00”.
- 2.Нажмите “+” или “-”, чтобы войти в правильный таймер. (Максимальное время приготовления составляет 95 минут)
- 3.Нажмите “Старт/Подтвердить” для подтверждения настройки.
- 4.Когда обратный отсчет от введенного времени достигнет 00:00, зуммер

будет звонить 5 раз. Если время установлено (24-часовая система), текущее время будет отображаться на светодиодном экране.



Функции кухонного таймера отличаются от 24-часовой системы. Кухонный таймер — это просто таймер.

4.9 Авто меню

- 1.В состоянии ожидания нажмите “+” или “-” несколько раз, чтобы выбрать меню.
- 2.Нажмите “Старт/Подтвердить”, чтобы подтвердить меню, которое вы выбрали.
- 3.Нажмите “+” или “-”, чтобы выбрать вес продуктов.
- 4.Нажмите “Старт/Подтвердить”, чтобы начать приготовление.

Таблица меню

Экран	Меню	Вес	Мощность
A 1	Пицца	200 г	С-2
		400 г	
A 2	Мясо	250 г	100% (Мик.)
		350 г	
		450 г	
A 3	Овощи	200 г	100% (Мик.)
		300 г	
		400 г	
A 4	Паста	50 г (с 450 г холодной воды)	80% (Мик.)
		100 г (с 800 г холодной воды)	
A 5	Картофель	200 г	100% (Мик.)
		400 г	
		600 г	

4 Использование

A 6	Рыба	250 г	80% (Мик.)
		350 г	
		450 г	
A 7	Напитки	1 чашка (около 120 мл)	100% (Мик.)
		2 чашки (около 240 мл)	
		3 чашки (около 360 мл)	
A 8	Попкорн	50 г	100% (Мик.)
		100 г	

4.10 Быстрое приготовление

1. В состоянии ожидания нажмите кнопку “Старт/Подтвердить”, чтобы готовить на уровне мощности 100% в течение 30 секунд. Каждое нажатие на одну и ту же клавишу может увеличиваться на 30 секунд. Максимальное время приготовления составляет 95 минут.
2. Во время режима микроволновой печи, гриля, комбинированного приготовления и размораживания по времени нажмите “Старт/Подтвердить”, чтобы увеличить время приготовления.
3. В режимах автоматического меню и размораживания по весу время приготовления не может быть увеличено нажатием “Старт/Подтвердить”.
4. В состоянии ожидания нажмите “-”, чтобы выбрать время приготовления. После настройки времени приготовления нажмите “Старт/Подтвердить”, чтобы начать приготовление в микроволновой печи в режиме микроволн “Мощность 100%”.

4.11 Функция справки

1. В состояниях приготовления микроволновой печи или гриля и комбинации. Нажмите “Микроволны” или “Гриль+Микроволны”, текущая мощность будет отображаться в течение 3 секунд.
2. Если часы были установлены, во время приготовления нажмите “Таймер/Часы”, чтобы проверить текущее время. Оно будет отображаться в течение 3 секунд.

4.12 Блокировка от детей

1. **Запирание:** В состоянии ожидания нажмите “СТОП/Сброс” в течение 3 секунд, чтобы войти в состояние блокировки от детей, и текущее время будет отображаться, если время было установлено, в противном случае на экране отобразится “E : : J”.
2. **Отпирание:** В заблокированном состоянии нажмите “СТОП/Сброс” в течение 3 секунд, блокировка будет снята.

4.13 Дополнительные пояснения

1. Если в процессе приготовления дверца открылась, закройте дверцу и нажмите “Старт/Подтвердить”, чтобы продолжить приготовление.
2. После установки программы приготовления “Старт/Подтвердить” не будет нажиматься в течение 1 минуты. Будет отображено текущее время. Настройка будет отменена.
3. Сигнал звучит один раз при эффективном нажатии, на неэффективное нажатие не реагирует.

4 Использование

4.14 Открывание дверцы печи

Нажмите кнопку “Открыть”, дверца печи откроется.

5 Очистка и обслуживание

5.1 Чистка и уход



ВНИМАНИЕ! Не используйте для очистки электроприбора бензин, растворители или абразивные чистящие средства, металлические и жесткие щетки.



ВНИМАНИЕ! Ни в коем случае не погружайте прибор или его шнур питания в воду или другую жидкость.

1. Выключите прибор и выньте вилку шнура питания из розетки электросети.
2. Подождите, пока прибор полностью остынет.
3. Внутренние поверхности печи нужно содержать в чистоте. Брызги пищи или потеки жидкостей нужно вытирать влажной тканью. Если печь сильно загрязнена, для ее чистки можно использовать мягкое моющее средство. Не используйте аэрозоли и другие агрессивные моющие средства, так как от них могут остаться пятна, следы, а также возможно помутнение поверхности дверцы.
4. Внешние поверхности печи следует очищать влажной тканью. Не допускайте попадания воды в вентиляционные отверстия, чтобы предотвратить повреждение рабочих компонентов печи.
5. Пароочиститель использовать нельзя.
6. Дверцу и стекло с обеих сторон, а также дверные прокладки и детали рядом с ними нужно регулярно протирать влажной тканью, чтобы удалить пятна и брызги от пролитой пищи. Не используйте абразивные моющие средства.
7. Не допускайте попадания влаги на панель управления. Очистку рекомендуется выполнять мягкой влажной тканью. При очистке панели управления дверцу печи нужно оставлять открытой, чтобы она случайно не включилась.
8. Если внутри печи или у ее дверцы присутствует конденсат от пара, вытрите его мягкой тканью. Конденсат образуется, если печь эксплуатируется в условиях высокой влажности. Это нормально.
9. В некоторых случаях для очистки нужно будет снять стеклянный поднос. Поднос следует мыть в теплой мыльной воде или в посудомоечной машине.
10. Роликовое кольцо и дно печи следует очищать, чтобы избежать

чрезмерного шума. Достаточно протереть нижнюю поверхность печи, используя мягкое моющее средство. Роликовое кольцо можно мыть в теплой мыльной воде или в посудомоечной машине. При снятии роликового кольца для его очистки необходимо запомнить его положение для правильной его установки в последующем.

11. Чтобы удалить неприятный запах из печи, налейте стакан воды и выдавите дольку лимона в глубокую емкость, пригодную для использования в микроволновой печи; включите печь на 5 минут, поставив ее на микроволновый режим. Тщательно промокните поверхности печи и вытрите их насухо мягкой тканью.
12. Если требуется заменить лампочку в печи, обратитесь в авторизованный сервисный центр.
13. Электроприбор нельзя утилизировать как бытовые отходы; старую печь нужно отправить в специальный центр сбора отходов, организованный городскими властями.
14. Если микроволновая печь используется с функцией гриля, возможно появление небольшого количества дыма и специфического запаха, которые исчезают спустя некоторое время эксплуатации. Это нормальное явление, поскольку печь изготовлена из стальной пластины, покрытой смазочным маслом, и новая печь будет выделять дым и запах, образующиеся при сжигании смазочного масла. Это явление

исчезнет после определенного периода использования.

5.2 Хранение

- Если вы не планируете использовать электроприбор в течение длительного времени, то его следует хранить надлежащим образом.
- Убедитесь, что электроприбор отключен от электросети, остыл, а его поверхности полностью сухие.
- Хранить прибор следует в сухом прохладном месте.
- Храните устройство в недоступном для детей месте.

5.3 Обращение и транспортировка

- Во время обработки и транспортировки переносите прибор в оригинальной упаковке.
- Упаковка устройства защищает его от физических повреждений.
- Не кладите тяжелые грузы на прибор или упаковку. Возможно повреждение прибора.

Неисправность	Возможная причина	Решение
Микроволновая печь не включается.	1) Кабель питания вставлен неправильно.	Извлеките его. Затем повторно вставьте его через 10 секунд.
	2) Перегорел предохранитель или сработал автоматический выключатель.	Замените предохранитель или повторно включите автоматический выключатель (отремонтированный квалифицированным специалистом нашей компании)
	3) Проблема со штепсельной розеткой	Проверьте исправность розетки с помощью других электроприборов.
Микроволновая печь не греет	4) Дверца не закрыта должным образом.	Плотно закройте дверцу.
Если ничего из вышеперечисленного не помогло исправить ситуацию, обратитесь к квалифицированному специалисту. Не пытайтесь отрегулировать или отремонтировать печь самостоятельно.		

Производитель: "Arçelik A.S."

Karaağaç Caddesi No: 2-6 Sütlüce, 34445, Турция

Сделано в Китае

Импортер на территории РФ / Уполномоченное изготовителем лицо:

ООО "Ай Эйч Пи Апплаенсес", 398005, Россия, Липецкая область,
г.о. город Липецк, г. Липецк, пл. Metallургов, д. 2

Информацию о сертификации продукта Вы можете уточнить, позвонив на горячую линию 8-800-3333-887.

Дата изготовления включена в серийный номер, указанный на этикетке, расположенной на продукте, следующим образом:

Первые две цифры серийного номера обозначают код завода, вторые две - год выпуска, а третьи две цифры – неделю.

Например, "7410-05-000001" означает, что продукт был произведен на 5ой неделе 2010 года.

Алдымен осы пайдаланушы нұсқаулығын оқып шығыңыз!

Құрметті тұтынушы,

Осы Hotpoint құрылғысын жөн көргеніңізге рахмет. Жоғары сапалы және заманауи технология арқылы өндірілген құрылғыңыздан ең жақсы нәтижелер аласыз деп үміттенеміз. Осы себепті, құрылғыны пайдалану алдында осы толық пайдаланушы нұсқаулығын және барлық басқа ілеспе құжаттарды мұқият оқып шығыңыз және болашақта пайдаланатын анықтама ретінде сақтаңыз. Құрылғыны басқа біреуге берсеңіз, пайдаланушы нұсқаулығын да беріңіз. Нұсқауларды орындаңыз, пайдаланушы нұсқаулығындағы бүкіл ақпарат пен ескертулерге көңіл бөліңіз.

Сондай-ақ бұл пайдаланушы нұсқаулығы басқа үлгілерге қатысты болуы мүмкін екенін есте сақтаңыз. Үлгілер арасындағы айырмашылықтар нұсқаулықта ашық түрде сипатталған.

Таңбалардың мағыналары

Осы пайдаланушы нұсқаулығының әртүрлі бөлімдерінде келесі таңбалар пайдаланылады:



Маңызды ақпарат және пайдалану туралы пайдалы кеңестер.



Өмір мен мүлік қауіпсіздігіне қатысты қауіпті жағдайлар туралы ескертулер.



Ыстық беттерге арналған ескерту.



Ток соғуы туралы ескерту.



Өрт қаупі туралы ескерту.



ҚАЙТА ӨНДЕЛГЕН ЖӘНЕ
ҚАЙТА ӨНДЕЛМЕЛІ ҚАҒАЗ

1 Қауіпсіздік және қоршаған орта туралы маңызды нұсқаулар

Маңызды қауіпсіздік нұсқаулары Мұқият оқып шығып, болашақта пайдалану үшін сақтап қойыңыз

Бұл бөлім өрт, электр тогының соғу, микротолқын энергиясы кемуі әсері, жеке жарақат немесе мүліктің зақымдалу қаупінен қорғайтын қауіпсіздік туралы нұсқауларды қамтиды. Бұл нұсқауларды орындамау кепілдік күшін жояды.

1.1 Жалпы қауіпсіздік

- Hotpoint микротолқынды пештері қолданбалы қауіпсіздік стандарттарына сәйкес, сол себепті құрылғы немесе қуат кабелі зақымдалған жағдайда қауіпті болдырмау үшін дилермен, қызмет көрсету орталығымен немесе маманмен және өкілетті қызмет көрсету орталығымен жөнделуі немесе ауыстырылуы керек. Ақаулы немесе біліксіз жөндеу жұмысы қауіпті болуы мүмкін және пайдаланушыға қауіп төндіруі мүмкін.
- Бұл құрылғы келесідей тұрмыстық және ұқсас қолданбаларда пайдалануға арналған:
 - Дүкендердегі қызметкерлердің ас пісіру аймақтарында, кеңселерде және басқа да жұмыс істейтін жерлерде;
 - Фермадағы үйлерде
 - Қонақүйлердегі, мотельдердегі клиенттер тұратын және басқа тұрғылықты жерлерде;
 - Төсек пен таңғы ас беретін орындарда.
- Өндірістік немесе зертханалық қолданысқа арналмаған.
- Есігі ашық кезде пешті іске қосуға әрекет жасамаңыз, болмаса ми-

1 Қауіпсіздік және қоршаған орта туралы маңызды нұсқаулар

кротолқын энергиясына зиян келуі мүмкін. Қауіпсіздік құлыптары өшірілмеуі немесе өзгертілмеуі керек.

- Микротолқынды пеш тағамды және сусындарды қыздыруға арналған. Тағамды немесе киімді кептіру және жылыту жастықшаларын, тәпішкелерді, губкаларды, дымқыл шүберекті және сол сияқты нәрселерді қыздыру жарақаттануға, тұтануға немесе өртенуге әкеп соқтыруы мүмкін.
- Пештің алдыңғы жағы мен есігі арасына нысан қоймаңыз. Лай немесе тазалау агенті қалдықтарының корпус беттеріне жиналуына мүмкіндік бермеңіз.
- Микротолқын энергиясы әсеріне қарсы қорғаныс беретін қақпақты шешу әрекетін қамтитын қызметтік жұмыстар өкілетті

тұлғалармен/қызметпен орындалуы қажет. Кез келген басқа ұсыныс қауіпті.

- Өнім тағамды үйде пісіруге, жылытуға және ерітуге арналған. Бұл коммерциялық мақсаттарға пайдаланылмауы қажет. Өндіруші дұрыс пайдаланбаудан болған зақымдарға жауапты болмайды.
- Пеш тірі ағзаны құрғатуға арналмаған.
- Құралды киімдерді немесе ас үй сүлгілерін кептіру үшін пайдаланбаңыз
- Бұл құрылғыны сыртта, ваннада, ылғалды орталарда немесе ылғалдануы мүмкін орындарда пайдаланбаңыз.
- Құрылғыны дұрыс пайдаланбаудан немесе қолданбаудан болатын зақымдарға жауапкершілік немесе кепілдік шағымы қарастырыл-

1 Қауіпсіздік және қоршаған орта туралы маңызды нұсқаулар

мауы керек.

- Құрылғыны бөлшектеуге ешқашан әрекет жасамаңыз. Дұрыс қолданбау салдарынан болған зақым үшін ешбір кепілдік шағымдары қабылданбайды.
- Тек түпнұсқалық бөлшектерді немесе өндіруші ұсынған бөлшектерді пайдаланыңыз.
- Пайдалану кезінде осы құрылғыны қараусыз қалдырмаңыз.
- Құрылғыны үнемі тұрақты, тегіс, таза, құрғақ және тайғақ емес бетте пайдаланыңыз.
- Құрылғы сыртқы сағат таймерімен немесе бөлек қашықтан басқару жүйесімен басқарылмауы тиіс.
- Құрылғыны алғаш рет пайдалану алдында барлық бөлшектерді тазалаңыз. «Тазалау және техникалық қызмет көрсету» бөлімінде берілген мәліметтерді көріңіз.
- Құрылғыны осы нұсқаулықта сипатталған мақсатқа ғана басқарыңыз.
- Құрылғыны пайдалану кезінде өте ыстық болады. Пеш ішіндегі ыстық бөлшектерді түртпеңіз.
- Пешті бос күйінде басқармаңыз.
- Жылытылған тағамнан ыдысқа тасымалданған жылуға байланысты пісіру ыдысы ыстық болуы мүмкін. Ыдысты ұстау үшін пеш қолғаптары керек болуы мүмкін.
- Микротолқынды пештерге үйлесімділігін тексеру үшін ыдыстар тексерілуі керек.
- Пешті плиталарға немесе басқа жылу генераторларына қоймаңыз. Болмаса, бұл зақымдалып, кепілдік жарамсыз

1 Қауіпсіздік және қоршаған орта туралы маңызды нұсқаулар

болуы мүмкін.

- Тағамды әзірлегеннен кейін қақпақтарды немесе фольганы ашу кезінде бу шығуы мүмкін.
- Құрылғыны пайдалану кезінде құрылғы мен қолжетімді беттері өте ыстық болуы мүмкін.
- Құрылғыны пайдалану кезінде есік пен сыртқы шыны өте ыстық болуы мүмкін.
- Желінің қуат көзі құрылғының көрсеткіштер тақтасында берілген ақпаратқа сәйкес екендігін тексеріңіз.
- Құрылғыны қуат көзінен ажырату жолы - қуат тығынын қуат розеткасынан шығару.
- Құрылғыны тек тұйықталған розеткамен пайдаланыңыз.
- Қуат кабелі немесе құрылғының өзі зақымдалған болса, ешқашан пайдалан-

баңыз.

- Бұл құрылғыны ұзартқыш сыммен пайдаланбаңыз.
- Құрылғыны немесе тығынын сулы немесе ылғалды қолдармен ешқашан түртпеңіз.
- Құрылғыны әрқашан ашаға қол жететіндей етіп орналастырыңыз.
- Қуат кабелін қысумен, майыстырумен немесе үшкір шеттерін үйкеумен зақым келтірмеңіз. Қуат кабелін ыстық беттерге және ашық жалынға жақындатпаңыз.
- Құрылғыны пайдалану кезінде қуат кабелі кездейсоқ тартылуынан немесе әлдекімнің үстіне шыққанынан қауіп төнбейтінін тексеріңіз.
- Әр тазалау алдында және құрылғыны пайдаланбау кезінде құрылғыны ажыратыңыз.

1 Қауіпсіздік және қоршаған орта туралы маңызды нұсқаулар

- Құрылғының қуат кабелін қуат көзінен ажырату үшін тартпаңыз және қуат кабелін құрылғы айналасына ешқашан ормаңыз.
- Құрылғыны, қуат кабелін немесе қуат тығынын суға не басқа сұйықтықтарға батырмаңыз. Ағын су астында ұстамаңыз.
- Пластик немесе қағаз контейнерлердегі тағам жылыту кезінде тұтану қаупіне байланысты көзіңіз пеште болсын.
- Микротолқынды пеште пайдалануға болатын қалталарды пешке салу алдында сымдарды және/немесе қағаз немесе пластик қалталардың металл тұтқаларын алыңыз.
- Егер түтін байқалса, құрылғыны өшіріп немесе ажыратып, жалынды өшіру мақсатында есікті жабық ұстаңыз.
- Пештің ішінде зат сақтамаңыз. Пеш пайдаланылмаған кезде ішінде қағаз элементтерді, пісіру материалын немесе тағамды қалдырмаңыз.
- Күйіп қалудың алдын алу үшін тамақтандыру бөтелкелері мен сәби тағамы құтыларының ішіндегі нәрсені тұтыну алдында араластыру немесе шайқау керек.
- Бұл құрылғы - 2-топты В класты ISM жабдығы. 2-топта радио-жиілік энергиясы арнайы құрылатын және/немесе материал өңдейтін электромагниттік сәулелену пішінінде пайдаланылатын барлық ISM (Өндірістік, ғылыми және медициналық) жабдығы және ұшқын эрозиясы жабдығы бар.
- В класты жабдық тұрмыстық қондырғыларда

1 Қауіпсіздік және қоршаған орта туралы маңызды нұсқаулар

және төмен кернеулі қуат көзі желісіне тікелей қосылған қондырғыларда пайдалануға арналған.

- Пеште ешбір затты қуырмаңыз. Ыстық май пеш құрамдастарына және материалдарына зақым келтіріп, терінің күйіне себеп болуы мүмкін.
- Тағам картоп, цуккини, алма және каштан сияқты қалың қыртысты тағамды тығыңыз.
- Құрылғыны артқы жағы қабырғаға қарайтындай етіп салу қажет.
- Құрылғыны жылжыту алдында зақымдалуын болдырмау үшін айналмалы түбін бекітіңіз.
- Қабыршағындағы жұмыртқаларды және бүтін күйінде суға пісірілген жұмыртқаларды шағын толқынды пештерде жылытпаңыз, себебі олар тіпті шағын толқынды пеште қыз-

дырған соң да жарылып кетуі мүмкін.

ЕСКЕРТУ : Егер есік немесе есік бекітпелері зақымдалса, білікті тұлғамен ауыстырылмайынша пеш басқарылмауы қажет.

ЕСКЕРТУ : Шағын толқын қуатының әсерінен қорғайтын жапқышты алу арқылы қызмет көрсету немесе жөндеу жұмыстарын орындау білікті тұлғадан басқалар үшін қауіпті болып табылады.

ЕСКЕРТУ : Сұйықтықтар және басқа да тағамдар тығыздалып жабылған контейнерлерде жылытылмауы керек, себебі олар жарылып кетуі мүмкін.

- Пеш жүйелі түрде тазаланып, тағам қалдықтары жойылуы керек.
- Пештің үстіңгі бетінен жоғары кемінде 30 см бос кеңістік болуы керек.
- Тағамдарды артық әзір-

1 Қауіпсіздік және қоршаған орта туралы маңызды нұсқаулар

лемеңіз, болмаса өртке себеп болуы мүмкін.

- Абразивті химикаттарды пайдаланбаңыз немесе осы Құрылғыны тазалау үшін бу негізіндегі тазалағыштар пайдаланбаңыз.
- Балалар және дене, сезім немесе ақыл-ой қабілеттері шектеулі тұлғалар жанында пайдалану кезінде аса мұқият болу ұсынылады.
- Бұл құрылғыны 8 немесе одан жоғары жастағы балалар және дене, сезім немесе ақыл-ой қабілеттері шектеулі адамдар немесе білімі және тәжірибесі жоқ адамдар тек өнімді қауіпсіз пайдалануға қатысты бақылауда болғанда немесе сәйкесінше нұсқау алғанда немесе өнімді пайдалану қауіптерін түсінгенде пайдалана алады. Балалар құрылғымен

ойнамауы керек. Балалар 8 жастан үлкен және үлкен адамдар тарапынан қадағаланатын болса ғана тазалау және техникалық қызмет көрсету жұмыстарын орындай алады.

- **Бұлығу қаупі бар!** Барлық бума материалдарын балалардан алыста сақтаңыз.
- Гриль режимінде және аралас режимде пайдаланылатын шамадан тыс қызуға байланысты балалар бұл режимдерді тек ересектердің бақылауымен қолдануы керек.
- Өнімді және қуат кабелін 8 жастан кіші балалар қолы жетпейтіндей етіп сақтаңыз.
- Тамақты тікелей шыны науаға пісірмеңіз. Тұмшапешке қоймас бұрын тағамды тиісті ас үй ыдыстарына салыңыз.

1 Қауіпсіздік және қоршаған орта туралы маңызды нұсқаулар

- Микротолқынды пеште пісіру кезінде тағам мен сусындарға арналған металл ыдыстарға жол берілмейді. Әйтпесе, ұшқын пайда болуы мүмкін.
- Бұл өнім ішіне орнатуға арналмаған. Өнімді пайдалану кезінде оны шкафқа немесе қорапқа қоймаңыз.
- Микротолқынды пешті орнату жөніндегі нұсқаулыққа сәйкес келмейтін шкафқа орнатуға тыйым салынады.
- Микротолқынды пеш тек шкафқа кіріктіріп пайдаланылуға арналған.
- Егер кіріктірілген аспаптар еденнен 900 мм биіктікте немесе одан жоғары биіктікте пайдаланылатын болса, аспаптан контейнерлерді шығарған кезде бұрылмалы табақтың жылжып кетпеуін қадағалау қажет.
- Егер кіріктірілген өнім есігі бар шкафта тұрса, оны пайдаланған кезде шкафтың есігі ашық болуы тиіс.
- Пештің беті таза ұсталмаған жағдайда, оның беті бұзылуы мүмкін. Бұл құрылғының қызмет мерзімін қысқартуы және қауіпті жағдай тудыруы мүмкін.
- Құрылғыны бумен тазалағышпен тазалауға болмайды.
- Сусындарды микротолқындар арқылы қыздыру кезінде, олар қайнап бұрқырауы мүмкін, сондықтан ыдысты қолмен ұстағанда абай болу керек.
- **Тазалау:** Құрылғыны суға немесе басқа сұйықтықтарға салмаңыз. Ішкі жағын тек спонжбен/сабынды жылы сумен ылғалдандырылған шүберекпен тазалаңыз. Қатты, абразивті

1 Қауіпсіздік және қоршаған орта туралы маңызды нұсқаулар

жуғыштарды қолданбаңыз. **Тазалау, күтім жасау және сақтау бойынша толық нұсқаулықтарды қараңыз.**

1.2 Қоқыс өнімдерді лақтыру туралы WEEE директивасының талаптарына сәйкестік:

Бұл өнім EО WEEE директивасының (2012/19/EU) талаптарына сәйкес келеді. Бұл өнімде қоқыс электр және электрондық жабдық (WEEE) жіктеу таңбасы бар.



Бұл өнім қайта пайдалануға болатын және қайта өңдеу үшін жарамды жоғары сапалы бөлшектермен және материалдармен жасалған.

Қызмет көрсету мерзімі біткенде қоқыс өнімді әдеттегі тұрмыстық және басқа қоқыстармен бірге лақтырмаңыз. Оны электр және электрондық жабдықтарды қайта өңдеу үшін жинау орталығына апарыңыз. Бұл жинау орталықтары туралы білу үшін жергілікті билік органдарына хабарласыңыз.

1.3 RoHS директивасының талаптарына сәйкестік:

Сіз сатып алған өнім EО RoHS директивасының (2011/65/EU) талаптарына сәйкес келеді. Оның құрамында директивада көрсетілген зиянды және тыйым салынған материалдар жоқ.

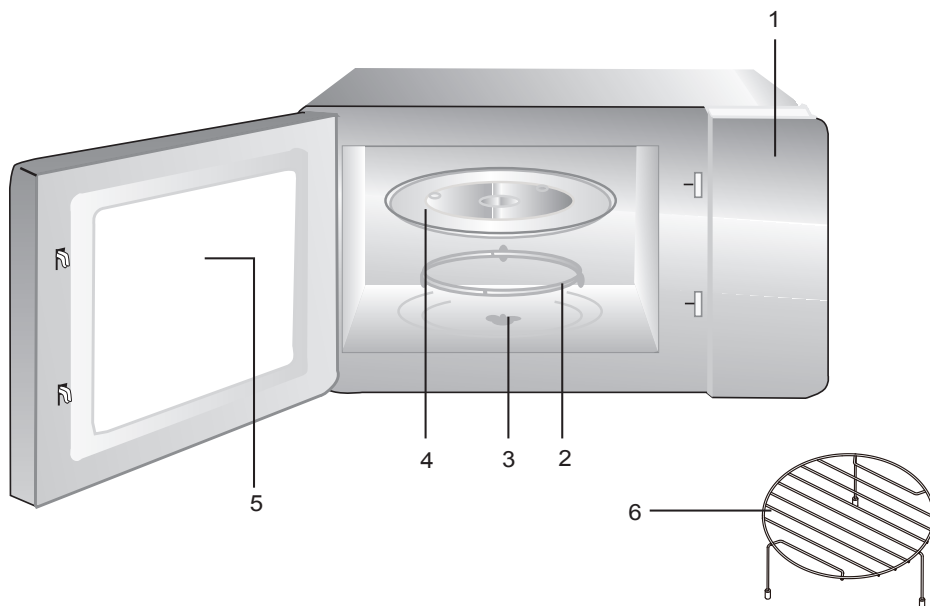
1.4 Бума ақпараты



Өнімнің орамасы біздің ұлттық заңнамаға сай қайта өңдеуге болатын материалдардан жасалған. Бума материалдарын тұрмыстық немесе басқа қоқыстармен бірге қоқысқа лақтырмаңыз. Оларды жергілікті билік органдары белгілеген бума материалын жинау орындарына апарыңыз.

2 Сіздің микротолқынды пешіңіз

2.1 Шолу



Басқару тақтасы және бөлшектер

1. Басқару тақтасы
2. Роликті доңғалақ қойғыш
3. Бұрама білік
4. Шыны табақ
5. Пештің есігі
6. Грильге арналған тор (тек гриль функциясында пайдаланылады және шыны табаққа орналастырылады)

2.2 Техникалық деректер

Номиналды кернеу	230 В~50 Гц
Номиналды кіріс (микротолқын)	1450 Вт
Номиналды шығыс (микротолқын)	900 Вт
Гриль қуаты	1000 Вт
Микротолқын жиілігі	2450 МГц
Пеш көлемі	25 литр
Таза салмағы	17,83 кг
Сыртқы өлшемдері	594*403*380 мм

Өнімге жазылған белгілер немесе өніммен бірге келген құжаттардағы көрсеткіштер зертханалық жағдайда тиісті стандарттарға сай алынған. Бұл көрсеткіштер аспаптың қолданылуы мен қоршаған орта жағдайына қарай өзгеруі мүмкін. Қуат көрсеткіштері 230 вольтта сыналған.

2 Сіздің микротолқынды пешіңіз

Техника және дизайн модификациясы құқықтары қорғалған.

2.3 Айналмалы табақша

- Ешқашан шыны табақты төңкеріп қоймаңыз. Шыны табақтың пайдаланылуы ешқашан шектелмеуі тиіс.
- Тағам пісіру кезінде әрқашан шыны табақ та, айналмалы табақша да пайдаланылуы тиіс.
- Барлық тағам немесе тағам контейнерлері пісірілуі үшін әрқашан шыны табаққа қойылуы тиіс.

- Шыны табақ немесе айналмалы табақша сынып қалса, маңайдағы ең жақын авторизацияланған сервис орталығына хабарласыңыз.



3 Орнату және қосу

3.1 Орнату және қосу

- Қаптама материалдар мен аксессуарларының барлығын алып тастаңыз. Пештің зақымданып-зақымданбағанын (мысалы, мыжылу белгісі немесе есік зақымы) тексеріңіз. Пеш зақымданған жағдайда, оны орнатпаңыз.
- Микротолқынды пеш шкафының бетіндегі қорғаныс пленкасын алыңыз.
- Слюдадан магнетронды қорғау мақсатында пеш камерасына бекітілген ашық қоңыр қақпақты шешпеңіз.
- Құрылғы тек үйде пайдалануға арналған.
- Пеш жиһазға кіріктіріліп пайдаланылуына арналған. Оны үстел тақтайына немесе шкаф ішінде пайдалануға болмайды.
- Арнайы орнату нұсқауларын орындаңыз.
- Құрылғыны қабырғаға орнатылатын

ені 60 см шкафқа (тереңдігі кемінде 55 см және еденнен алғанда биіктігі 85 см) орнатуға болады.

- Құрылғы ашамен жабдықталған және оны тек дұрыс орнатылған жерге қосылған розеткаға қосу керек.
- Электр желісінің кернеуі техникалық ақпарат тақтайшасында көрсетілген кернеуге сәйкес келуі керек.
- Орнатқаннан кейін ашаға қол жеткізу мүмкін болмаса, орнату жағында кемінде 3 мм контакт аралығы бар көп полюсті оқшаулағыш қосқыш орнатылуы керек.
- Адаптерлерді, бірнеше бағытты розеткаларды және ұзартқыштарды пайдалануға болмайды. Шамадан тыс жүктеме өрт қаупін тудыруы мүмкін.



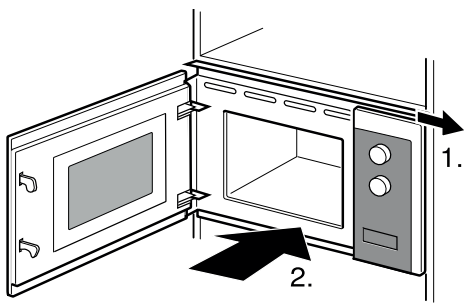
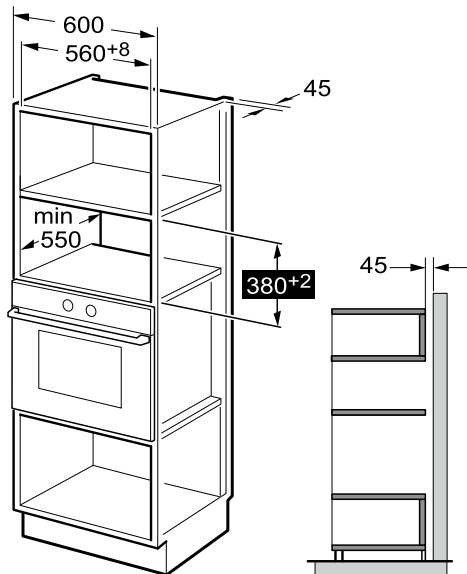
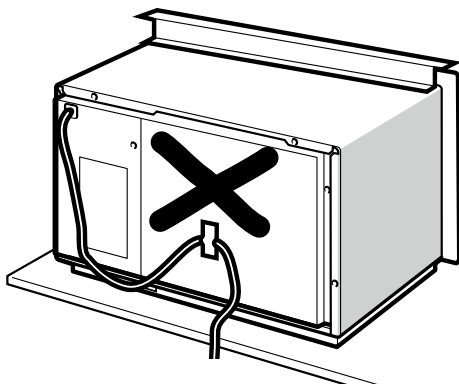
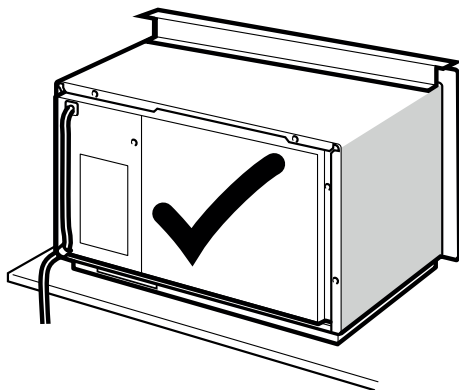
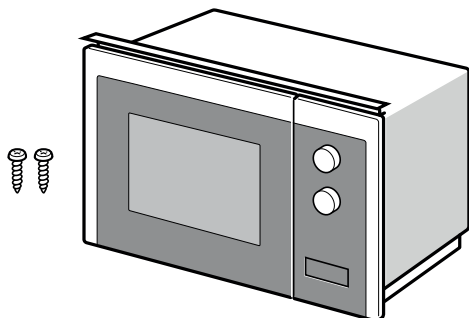
Жұмыс істеп тұрған кезде қолжетімді бет ыстық болуы мүмкін.

3 Орнату және қосу

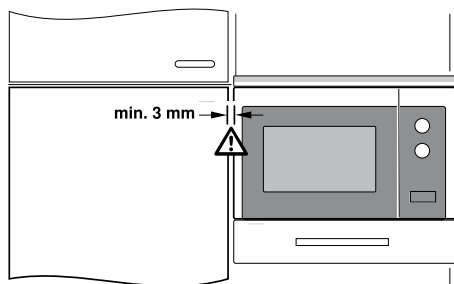
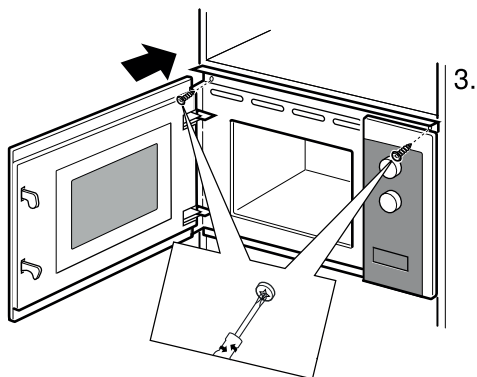


Қуат кабелін мыжбаңыз немесе майыстырмаңыз.

3.2 Кіріктірілген жабдық

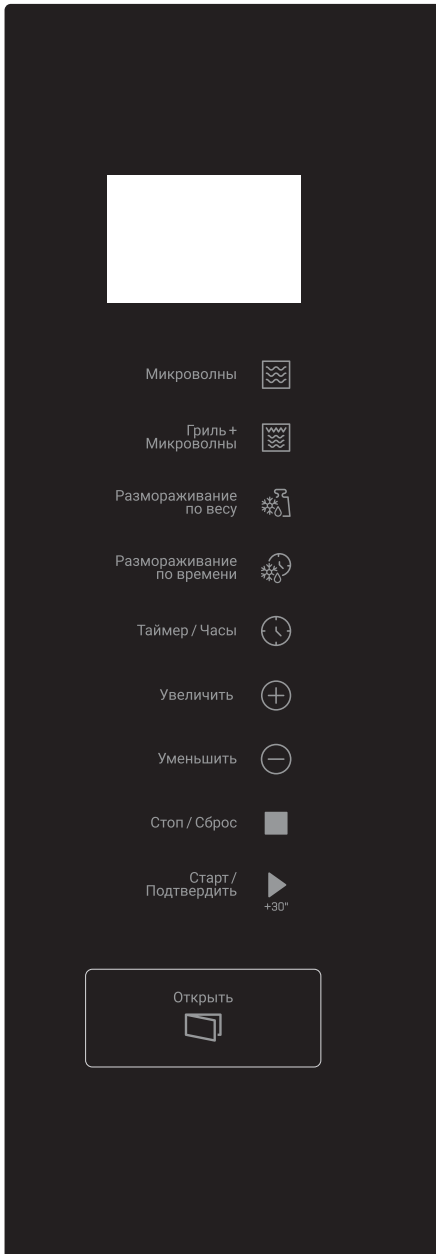


3 Орнату және қосу



4 Жұмыс барысы

4.1 Басқару тақтасы



4.2 Сағат параметрлері

Микротолқынды пеш қуат көзіне қосылған кезде, пеш экранында “0:00” жазуы көрсетіледі және дыбыстық сигналдың дауысы бір рет шығады. Пеш күту күйіне өтеді.

- 1.“Таймер/Часы” түймесін екі рет басыңыз, сонда сағат жазуы жыпылықтайды;
- 2.Сағатты реттеу үшін “+” немесе “-” түймесін басыңыз, енгізілетін уақыт 0--23 аралығында болуы керек.
- 3.“Таймер/Часы” түймесін басыңыз, сонда сағат кескіні жыпылықтайды;
- 4.Минутты реттеу үшін “+” немесе “-” түймесін басыңыз, енгізілетін уақыт 0--59 аралығында болуы керек.
- 5.Сағатты реттеуді аяқтау үшін “Таймер/Часы” түймесін басыңыз. “.” таңбасы жыпылықтайды. Ағымдағы уақыт көрсетіледі.



Сағат орнатылмаған болса, ол қосылған кезде жұмыс істемейді.

4.3 Микротолқында пісіру

- 1.“Микроволны” түймесін бір рет басыңыз, сонда “P100” жазуы көрсетіледі.
- 2.Микротолқын қуатын таңдау үшін “Микроволны” түймесін бірнеше рет басыңыз немесе микротолқын қуатын таңдау үшін “+” немесе “-” опциясын таңдаңыз. “P100”, “P80”, “P50”, “P30”, “P10” рет-ретімен көрсетіледі.
- 3.Параметрді растау үшін “Старт/Подтвердить” түймесін басыңыз.
- 4.Пісіру уақытын реттеу үшін “+” немесе “-” түймесін басыңыз. (максималды пісіру уақыты 95 минут)

4 Жұмыс барысы

5. Тағамды пісіруді бастау үшін “Старт/Подтвердить” түймесін басыңыз.



Сағат орнатылмаған болса, қуаты қосылған кезде жұмыс істемейді.

Уақытты “+” немесе “-” пернелері арқылы орнату қадамдары келесідей:

Ұзақтықты реттеу	Ұлғайту мөлшері
0-1 минут	5 секунд
1-5 минут	10 секунд
5-10 минут	30 секунд
10-30 минут	1 минут
30-95 минут	5 минут

Микротолқын қуатының кестесі

Дисплей	Микротолқын қуаты
P100	Жоғары
P80	Орт. жоғ
P50	Орт.
P30	Орт. төм.
P10	Төмен

4.4 Гриль немесе Комби. пісіру

1. “Гриль+Микроволны” түймесін бір рет басыңыз, сонда экранда “G” жазуы көрсетіледі және қалаған қуатыңызды таңдау үшін “Гриль+Микроволны” түймесін қайта-қайта басыңыз немесе “+” немесе “-” түймесін басыңыз, сонда “G”, “С-1” немесе “С-2” жазуы көрсетіледі.
2. Қуатты растау үшін “Старт/Подтвердить” түймесін басыңыз.
3. Тағам пісіру уақытын 0:05 пен 95:00 аралығына орнату үшін “+” немесе “-” пернелерін басыңыз.
4. Тағамды пісіруді бастау үшін “Старт/Подтвердить” түймесін қайта ба-

сыңыз.



Мысалы: Егер тағамды 10 минутқа пісіру үшін микротолқын қуатының 55%-ын және гриль қуатының (С-1) 45%-ын пайдаланғыңыз келсе, пешті келесі қадамдарды орындау арқылы басқара аласыз.

1. “Гриль+Микроволны” түймесін бір рет басыңыз, сонда экранда “G” жазуы көрсетіледі.
2. Экранда “С-1” жазуы көрсетілгенше “Гриль+Микроволны” түймесін баса беріңіз.
3. Растау үшін “Старт/Подтвердить” түймесін басыңыз.
4. Пісіру уақытын реттеу үшін пеш экранында “10:00” жазуы көрсетілгенше “+” немесе “-” түймесін басыңыз
5. Тағамды пісіруді бастау үшін “Старт/Подтвердить” түймесін басыңыз.

Комбинацияланған (аралас) қуат нұсқаулары:

Бағдарлама	Дисплей	Микротолқын қуаты	Гриль қуаты
Гриль	G	0%	100%
Комби.1	С-1	55%	45%
Комби.2	С-2	36%	64%

4 Жұмыс барысы



Грильдеу уақытының жартысы өтсе, пеш екі рет дыбыстық сигнал жасайды және бұл қалыпты жағдай. Тағамды грильдеу әсерін жақсарту үшін, тағамды төңкеріп қойыңыз, есікті жабыңыз және пісіруді жалғастыру үшін “Старт/Подтвердить” түймесін басыңыз. Басқа операциялар орындалып жатпаған болса, пеш өз жұмысын жалғастырады.

4.5 Салмағы бойынша жібіту

1. “Размораживание по весу” түймесін бір рет бассаңыз, экранда “dEF1” жазуы көрсетіледі.
2. Тағам салмағын таңдау үшін “+” немесе “-” түймесін басыңыз. Салмақ ауқымы 100-2000 г.
3. Жібітуді бастау үшін “Старт/Подтвердить” түймесін басыңыз.



Жібіту уақытының жартысы өтсе, пеш екі рет дыбыстық сигнал жасайды және бұл қалыпты жағдай. Жібіту әсерін жақсарту үшін, тағамды төңкеріп қойыңыз, есікті жабыңыз және пісіруді жалғастыру үшін “Старт/Подтвердить” түймесін басыңыз. Басқа операциялар орындалып жатпаған болса, пеш өз жұмысын жалғастырады.

4.6 Уақыт бойынша жібіту

1. “Размораживание по времени” түймесін бір рет бассаңыз, экранда “dEF2” жазуы көрсетіледі.
2. Пісіру уақытын таңдау үшін “+” немесе “-” түймесін басыңыз. Максималды уақыты 95 минут.
3. Жібітуді бастау үшін “Старт/Подтвердить” түймесін басыңыз.



Жібіту уақытының жартысы өтсе, пеш екі рет дыбыстық сигнал жасайды және бұл қалыпты жағдай. Жібіту әсерін жақсарту үшін, тағамды төңкеріп қойыңыз, есікті жабыңыз және пісіруді жалғастыру үшін “Старт/Подтвердить” түймесін басыңыз. Басқа операциялар орындалып жатпаған болса, пеш өз жұмысын жалғастырады.

4.7 Бірнеше кезеңді пісіру

Ең көбі 2 кезең орнатуға болады. Егер кезеңдердің бірі жібіту болса, ол автоматты түрде алғашқы кезеңге ауыстырылуы тиіс. Өр кезең сайын бір рет дыбыстық сигнал шығады, содан кейін келесі кезең басталады.



Автоматты мәзір және жылдам пісіру режимі бірнеше кезеңнің бірі ретінде орнатыла алмайды.



Мысалы: Тағамды 5 минутқа жібітіп, 7 минут бойы 80% микротолқын қуатымен пісіргіңіз келсе. Қадамдар келесідей.

4 Жұмыс барысы

1. “Размораживание по времени” түймесін бір рет бассаңыз, экранда “dEF2” жазуы көрсетіледі.
2. Жібіту уақытын 5 минут етіп орнату үшін “+” немесе “-” түймесін басыңыз.
3. “Микроволны” түймесін бір рет басыңыз, сонда экранда “P100” жазуы көрсетіледі.
4. Микротолқын қуатын таңдау үшін экранда “P80” жазуы көрсетілгенше “Микроволны” түймесін бірнеше рет басыңыз.
5. Растау үшін “Старт/Подтвердить” түймесін басыңыз.
6. Пісіру уақытын 7 минут етіп орнату үшін “+” немесе “-” түймесін басыңыз.
7. Тағамды пісіруді бастау үшін “Старт/Подтвердить” түймесін басыңыз.

4.8 Асүй таймері (есептегіш)

Пешіңіз пеш функцияларымен байланыстырылмаған автоматты есептегішпен жасақталған және оны асүйде бөлек пайдалануға болады (оны макс. 95 минутқа орнатуға болады).

1. “Таймер/Часы” түймесін бір рет басыңыз, сонда экранда “00:00” жазуы көрсетіледі.
2. Дұрыс уақытты енгізу үшін “+” немесе “-” түймесін басыңыз. (максималды пісіру уақыты 95 минут)
3. Параметрді растау үшін “Старт/Подтвердить” түймесін басыңыз.
4. Енгізілген уақыттан басталатын кері санақ 00:00 мәніне жеткен кезде, 5 рет дыбыстық сигнал жасалады. Уақыт орнатылған болса (24 сағаттық жүйе), ағымдағы уақыт LED экранда көрсетіледі.



Асүй таймері 24 сағаттық жүйеден басқаша жұмыс істейді. Асүй таймері жай ғана таймер.

4.9 Автоматты мәзір

1. Мәзірді таңдау үшін күту күйінде “+” түймесін бірнеше рет басыңыз.
2. Таңдалған мәзірді растау үшін “Старт/Подтвердить” түймесін басыңыз.
3. Тағам салмағын таңдау үшін “+” немесе “-” түймесін басыңыз.
4. Тағамды пісіруді бастау үшін “Старт/Подтвердить” түймесін басыңыз.

Мәзір кестесі

Ди-сплей	Мәзір	Салмағы	Қуаты
A 1	Пицца	200 г	C-2
		400 г	
A 2	Ет	250 г	100% (мик.)
		350 г	
		450 г	
A 3	Көкөніс	200 г	100% (мик.)
		300 г	
		400 г	
A 4	Қамыр	50 г (450 г суық сумен)	80% (мик.)
		100 г (800 г суық сумен)	
A 5	Қартоп	200 г	100% (мик.)
		400 г	
		600 г	
A 6	Балық	250 г	80% (мик.)
		350 г	
		450 г	

4 Жұмыс барысы

A 7	Сусындар	1 шыны-аяқ (шамамен 120 мл)	100% (мик.)
		2 шыны-аяқ (шамамен 240 мл)	
		3 шыны-аяқ (шамамен 360 мл)	
A 8	Попкорн	50 г	100% (мик.)
		100 г	

4.10 Жылдам пісіру

1.30 секунд 100% қуат деңгейінде тағам пісіру үшін, күту күйінде “Старт/Подтвердить” түймесін басыңыз. Бір түймені бірнеше рет басқан сайын уақыт 30 секундқа ұлғая береді. Максималды пісіру уақыты 95 минут.

2. Пісіру уақытын ұлғайту үшін микротолқынды, гриль, комбинацияланған (аралас) пісіру және уақыт бойынша жібіту кезінде “Старт/Подтвердить” түймесін басыңыз.

3. Автоматты мәзір және салмақ бойынша жібіту режимдерінде, пісіру уақытын “Старт/Подтвердить” түймесін басу арқылы ұлғайтуға болмайды.

4. Пісіру уақытын таңдау үшін күту режимінде “-” түймесін басыңыз. Пісіру уақытын реттеген соң, 100% қуат деңгейімен микротолқынды пісіру үшін “Старт/Подтвердить” түймесін басыңыз.

4.11 Сұрау функциялары

1. Микротолқын немесе гриль және комбинация (аралас) режимінің пісіру күйінде. “Микроволны” немесе “Гриль+Микроволны” түймесін

басыңыз, ағымдағы қуат 3 секундқа көрсетіледі.

2. Сағат орнатылған соң, ағымдағы уақытта тексеру үшін пісіру күйінде “Таймер/Часы” түймесін басыңыз. Ол 3 секундқа көрсетіледі.

4.12 Баладан қорғау құлпы

1. **Құлып:** Күту күйінде “Балалардан қорғау құлпы” күйіне өту үшін, “Стоп/Сброс” түймесін 3 секунд басып тұрыңыз, сонда уақыт орнатылған болса, ағымдағы уақыт көрсетіледі, болмаса экранда “E : : J” жазуы көрсетіледі.

2. **Құлыптан шығару:** Құлыпталған күйде “Стоп/Сброс” түймесін 3 секундқа басыңыз, сонда құлыптан босатылады.

4.13 Сипаттама

1. Пісіру кезінде есік ашылған болса, пісіруді жалғастыру үшін есікті жауып, “Старт/Подтвердить” түймесін басыңыз.

2. Пісіру бағдарламасы орнатылған соң, “Старт/Подтвердить” түймесін 1 минут бойы баса алмаймыз. Ағымдағы уақыт көрсетіледі. Баптаудан бас тартылады.

3. Тиімді түрде басылған кезде, дыбыстық сигнал дыбысы шығады, басқа жағдайда ешқандай дыбыс шықпайды.

4.14 Пеш есігін ашу

“Открыть” түймесін бассаңыз, пештің есігі ашылады.

5 Тазалау және күтім жасау

5.1 Тазалау



ЕСКЕРТУ : Ешқашан құрылғыны тазалау үшін бензинді, сұйылтқышты, абразивтік тазалау заттарын, металл заттарды немесе қатты щеткаларды пайдаланбаңыз.



ЕСКЕРТУ : Құрылғы немесе оның қуат сымын суға не басқа сұйықтыққа батырмаңыз.

1. Құрылғыны өшіріп, қабырға розеткасынан ажыратыңыз.
2. Құрылғының толық салқындауын күтіңіз.
3. Пештің ішін таза ұстаңыз. Пеш қабырғаларына тағам немесе төгілген сұйықтық шашыраған кезде дымқыл шүберекпен сүртіңіз. Егер пеш қатты ластанса, жеңіл ағартқыш пайдаланылуы мүмкін. Спрейлер мен басқа қатты тазалау агенттерін пайдаланбаңыз, себебі есік бетіндегі бояуларға, белгілерге және ашықтыққа себеп болуы мүмкін.
4. Пештің басқа беттері дымқыл шүберекпен тазалануы қажет. Пештегі жұмыс бөлшектеріне зақым келтірмеу үшін желдету саңылауларына су өткізбеңіз.
5. Бу тазалағышты пайдаланбаңыз.
6. Артық ағынды және шашыраған бояуды жою мақсатында есіктің екі шетін, шыныны, есік сальниктерін және сальниктерге жақын бөлшектерді дымқыл шүберекпен жиі сүртіңіз. Абразивті тазалау агенттерін пайдаланбаңыз.
7. Басқару тақтасын ылғалдандырмаңыз. Жұмсақ дымқыл шүберекпен тазалаңыз. Басқару тақтасын тазалау кезінде жағымсыз жұмысты болдырмау үшін пеш есігін ашық қалдырыңыз.
8. Егер пеш есігі ішіне немесе айналасына бу жиналса, жұмсақ шүберекпен сүртіңіз. Микротолқынды пеш жоғары ылғалдылық жағдайларында пайдаланылған кезде осы орын алуы мүмкін. Бұл – қалыпты нәрсе.
9. Кейбір жағдайларда шыны науасын тазалау үшін алу керек болуы мүмкін. Науаны жылы сабынды суда немесе ыдыс жуғышта жуыңыз.
10. Артықшуды болдырмау үшін ролик сақинасы және пеш қабаты жүйелі түрде тазалануы керек. Пештің төменгі бетін жұмсақ ағартқышпен сүртуге болады. Ролик сақинасы жылы сабынды суда немесе ыдыс жуғышта жуылуы мүмкін. Пештің ішкі қабатынан ролик сақинасын тазалау үшін алған кезде ауыстырғанда дұрыс күйге орнатыңыз.
11. Пештегі нашар иістерді болдырмау мақсатында су және шырын шынысын және лимон қабығын микротолқынды пеште пайдалануға арналған терең ыдысқа салып, пешті микротолқын режимінде 5 минут пайдаланыңыз. Жұмсақ шүберекпен дұрыстап сүртіп келтіріңіз.
12. Пеш шамын ауыстыру керек кезде өкілетті қызмет көрсету орталығына хабарласыңыз.

5 Тазалау және күтім жасау

13. Пеш жүйелі түрде тазаланып, тағамның қалдықтары жойылуы керек. Егер пеш таза сақталмаса, құрылғының қызмет мерзіміне теріс әсер ететін және қауіптерге себеп болатын бет зақымдарына себеп болуы мүмкін.
14. Бұл құрылғыны тұрмыстық қалдықпен тастамаңыз; ескі пештер жергілікті басқару органдарымен бөлінген арнайы қалдық орталықтарына тасталуы керек.
15. Микротолқынды пеш гриль функциясында пайдаланылған кезде белгілі бір пайдалану уақытынан кейін жойылатын түтін мен иістің кішкентай мөлшері болуы мүмкін. Бұл қалыпты құбылыс, себебі пеш майлау майымен қапталған болат пластинадан жасалған және жаңа пеш майлау майды жағу нәтижесінде пайда болатын түтін мен иіс шығарады. Бұл құбылыс пайдалану мерзімінен кейін жоғалады.

5.2 Сақтау

- Егер ұзақ уақыт бойы пайдаланбайтын болсаңыз, құрылғыны дұрыс сақтауға қойыңыз.
- Құрылғы ажыратылғанын, суытылғанын және толығымен кептірілгенін тексеріңіз.
- Құрылғыны суық және құрғақ орында сақтаңыз.
- Құрылғыны балалар жетпейтін жерде ұстаңыз.

5.3 Қолдану және тасымалдау

- Қолдану және тасымалдау кезінде құрылғыны түпнұсқа орамында алып жүріңіз. Құрылғының қаптамасы оны физикалық зақымданудан қорғайды.
- Құрылғыға немесе қаптамаға ауыр жүк қоймаңыз. Құрылғы зақымдалуы мүмкін.
- Құрылғыны түсіріп алу оны жұмыс істемейді немесе тұрақты зақымдайды.

6 Ақауларды жою

Мәселе	Ықтимал себеп	Шешім
Пеш қосылмайды.	1) Электр кабелі дұрыс қосылмаған.	Оны суырып алыңыз. 10 секундтан кейін қайта тығыңыз.
	2) Сақтандырғыш жанып кеткен немесе айырғы іске қосылған.	Сақтандырғышты алмастырыңыз немесе (біздің компаниямыздың маманы жөндеген) айырғыны қайта қосыңыз .
	3) Проблема резеткіде.	Резеткіні өзге электрлі аспаппен тексеріңіз.
Пеш қызбайды.	4) Есігі дұрыс жабылмаған.	Есікті дұрыстап жабыңыз.
Жоғарыда аталған әрекеттердің ешқайсысы жағдайды түзетпесе, білікті маманға хабарласыңыз. Пешті өзіңіз баптауға немесе жөндеуге тырыспаңыз.		

Өндіруші: "Arcelik A.S."

Karaağaç Caddesi No: 2-6 Sütlüce, 34445, Turkey/ Турция

Ресей Федерациясындағы импорттаушы / Өндіруші уәкілеттік берген тұлға:

ООО "Ай Эйч Пи Апплаенсес », 398005, Ресей, Липецк облысы, г.о. Липецк қаласы, Липецк, Metallургов алаңы, 2 үй

Өнімнің жасалған күні сериялық нөміріне қосылған және құралдың заттаңбасында көрсетілген, атап айтқанда: Сериялық нөмірдің алғашқы екі саны зауыт кодын көрсетеді, келесі екі саны - шығарылған жылын, ал үшінші екі саны - нешінші аптасында өндірілгенін көрсетеді.

Мысалы, «7410-05-000001» өнім 2010 жылдың 5-ші аптасында шығарылғанын білдіреді.

Құралды сақтау шарттары және мерзімі, қызмет көрсету мерзімі.

Құралды -40 °С –дан +50°С-ға дейінгі температурада жабық үй-жайда сақтаңыз

Құрал 2006/95/ЕС, 2004/108/ЕС Директиваларына сәйкес жасалған.

Arçelik A.Ş.
Karaağaç Caddesi No: 2-6, 34445,
Sütlüce, İstanbul, Türkiye