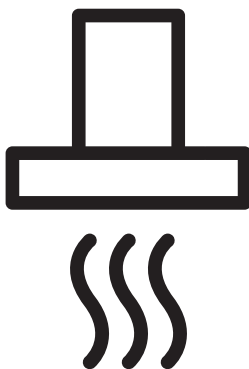


Hotpoint

Cooker Hood

User Manual



HPTF 63R BLG
HPTF 63R WHG
HPTF 63RIX

EN - KK - RU

CONTENTS

ENGLISH 3-15

KAZAKH 16-29

РУССКИЙ 30-45

Please read this user manual first!





Dear Valued Customer,

Thank you for preferring this Hotpoint appliance. We hope that you get the best results from your appliance which has been manufactured with high quality and state-of-the-art technology. For this reason, please read this entire user manual and all other accompanying documents carefully before using the appliance and keep it as a reference for future use. If you handover the appliance to someone else, give the user manual as well. Follow the instructions by paying attention to all the information and warnings in the user manual.

Remember that this user manual may also apply to other models. Differences between models are explicitly described in the manual.

Meanings of the Symbols

Following symbols are used in various sections of this user manual:

	Important information and useful hints about usage.
	WARNING: Warnings against dangerous situations concerning the security of life and property.
	WARNING: Warning for danger of fire.
	WARNING: Warning for electric shock.

1 Important safety and environmental instructions

1.1 General Safety

Important Safety Instructions Read Carefully And Keep For Future Reference This section contains safety instructions that will help protect from risk of fire, electric shock, exposure to leak microwave energy, personal injury or property damage. Failure to follow these instructions shall void any warranty.

- Hotpoint products comply with the applicable safety standards; therefore, in case of any damage on the appliance or power cable, it should be repaired or replaced by the dealer, service center or a specialist and authorized service alike to avoid any danger. Faulty or unqualified repair work may be dangerous and cause risk to the user.
- This appliance is intended to be used in household and similar applications such as:
 - Staff kitchen areas in shops, offices and other working environments;
 - Farm houses
 - By clients in hotels, and other residential type environments;
 - Bed and Breakfast type environments.
- Operate the appliance for its intended purpose only as described in this manual.
- The manufacturer cannot be held liable for damages resulting from improper installation or misuse of the product.
- This appliance can be used by children aged from 8 years and above and persons with reduced physical, sensory or mental capabilities or lack of experience and knowledge if they have been

1 Important safety and environmental instructions

given supervision or instruction concerning use of the appliance in a safe way and understand the hazards involved.

- Children shall not be allowed play with the appliance. Cleaning and user maintenance shall not be made by children without supervision.
- The minimum distance between the supporting surface for the cooking vessels on the hob and the lowest part of your product must be at least 65 cm.
- If the instructions for installation for the gas hob specify a greater distance, this has to be taken into account.
- Make sure that your mains power supply complies with the information supplied on the rating plate of the appliance.
- Never use the appliance if

the power cable or the appliance itself is damaged.

- Prevent damage to the power cable by not squeezing, bending, or rubbing it on sharp edges. Keep the power cable away from hot surfaces and naked flame.
- Use the appliance with a grounded outlet only.

WARNING: Do not connect the appliance to the mains until the installation is fully complete.

- Place the appliance in a way so that the plug is always accessible.
- Do not touch the lamps if they have operated for a long time. They can burn your hands since they will be hot.
- Follow the regulations set out by competent authorities on discharge of the exhaust air (this warning is not applicable for use without flue).

1 Important safety and environmental instructions

- Operate your appliance after putting a pot, pan etc. on the hob. Otherwise, high heat may cause deformation in some parts of your product.
- Turn off the hob before taking the pot, pan etc. from it.
- Do not leave hot on the hob. Pans with hot may cause self combustion.
- Pay attention to your curtains and covers since may catch fire while cooking food such as fries.
- Grease filter must be cleaned at least monthly. Carbon filter must be replaced at least every 3 months.
- Product shall be cleaned accordance with user manual. If cleaning was not carried out in accordance with user manual, there may be fire risk.
- Do not use non-fire-resistant filtering materials instead of the current filter.
- Only use the original parts or parts recommended by the manufacturer.
- Do not operate the product without the filter and do not remove the filters while the product is running.
- In the event of be started any flame, de-energize your product and cooking appliances.
- In the event of be started any flame, cover the flame and never use water to extinguish.
- Unplug the appliance before each cleaning and when the appliance is not in use.
- The negative pressure in the environment should not exceed 4 Pa (4x10 bar) while the hood for electric hob and appliances running on another type of energy but electricity operate simultaneously.

1 Important safety and environmental instructions

- In the environment where the appliance is being used, the exhaust of devices running on fuel or gas, such as room heater must be absolutely isolated or device must be hermetical type.
 - When connecting the flue, use pipes with a diameter of 120 or 150 mm. Pipe connection must be as short as possible and have as few elbows as possible.
 - The product outlet must not be connected to air channels that include other smoke.
 - The ventilation in the room may be insufficient when the hood for electric hob is used simultaneously with the devices operating on gas or other fuels (this may not apply to appliances that only discharge the air back into the room).
 - Objects placed on the product may fall. Do not place any objects on the product.
 - Do not flambe under the your product.
- WARNING:** Before installing the Hood, remove the protective films.
- Never leave high naked flames under the hood when it is in operation
 - Deep fat fryers must be continuously monitored during use: overheated can burst into flames.

Danger of choking! Keep all the packaging materials away from children.

CAUTION: Accessible parts may become hot when used with cooking appliances.

1.2 Compliance with the WEEE Directive and Disposing of the Waste Product:

This product complies with EU WEEE Directive (2012/19/EU). This product bears a classification symbol for waste electrical and electronic equipment (WEEE).



This symbol indicates that this product shall not be disposed with other household wastes at the end of its service life. Used device must be returned to official collection point for recycling of electrical and electronic devices. To find these collection systems please contact to your local authorities or retailer where the product was purchased. Each household performs impor-

1 Important safety and environmental instructions

tant role in recovering and recycling of old appliance. Appropriate disposal of used appliance helps prevent potential negative consequences for the environment and human health.

1.3 Compliance with RoHS Directive

The product you have purchased complies with EU RoHS Directive (2011/65/EU). It does not contain harmful and prohibited materials specified in the Directive.

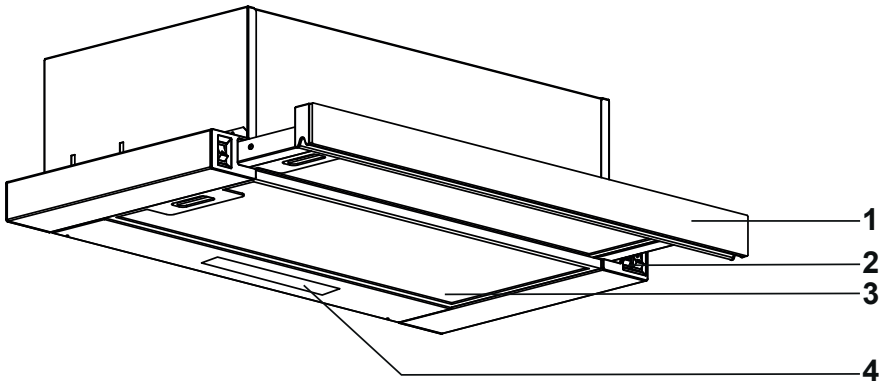
1.4 Package information



Packaging materials of the product are manufactured from recyclable materials in accordance with our National Environment Regulations. Do not dispose of the packaging materials together with the domestic or other wastes. Take them to the packaging material collection points designated by the local authorities.

2 General appearance

2.1 Overview






1. Front panel
2. Control panel
3. Grease filter
4. Lighting

2.2 Technical data

Model	HPTF 63R IX	HPTF 63R WHG	HPTF 63R BLG
Supply voltage and frequency	220-240V~ 50/60 Hz		
Lamp power	1x2 W		
Motor power	65 W		
Air flow – 3. Level	319.8 m ³ /h		
Insulation class	CLASS I		
Colour	Inox	White glass	Black glass

3 Using the appliance

3.1 Controlling the appliance

Lamp button		To turn on the product lamp put the switch in lamp position. The slider set should be in pulled position in order to turn on the lamp.
1st and 2nd speed switch.		Put the switch in down position to operate the product in the 1st speed and in up position to operate in the 2nd speed. To turn it off, set it to "0" position.
3. Speed switch		Put the switch in down position to operate the product in the 3rd speed. To turn it off, set it to "0" position.

3.2 Energy efficient usage

- When operating the hood, adjust the speed level according to the odour and vapour intensity in order to prevent unnecessary power consumption.
- Use low speeds in normal conditions (1–2), and high speed (3) when smell and vapours are intensified.
- Lamps on the hood are intended for illuminating the cooking zone.
- Using them to illuminate the ambient/kitchen will result in unnecessary power consumption and inadequate illumination.
- For your device to consume less energy, run it at a low speed level.
- Your device will reduce energy consumption as it will run more efficiently when you provide sufficient air intake to it.
- Set your device to the intense suction power level before the formation of steam, in cases where you know that the dense steam will occur. So, you reduce energy consumption by using your device for a shorter time as it will have a sufficient air intake.
- Keep the lids of the cookware closed to reduce the steam evolving.

3.3 Operating the hood

- Your appliance contains a motor that has various speeds.
- For better performance, we recommend using low speeds under normal conditions and high speeds in cases of strong odours and intense vapour.
- You can start your appliance by pressing on the desired speed setting button. (1, 2, 3)
- You may illuminate the cooking area by pressing the lamp.

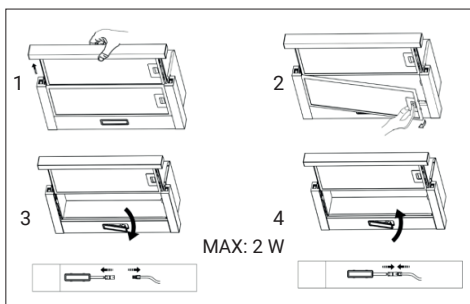
3.4 Replacement of Lamp




- Before replacing the light bulbs, disconnect the power supply of the hood.
- Do not touch the light bulbs when they are hot.
- Be careful not to touch the replaced light bulb directly with hands.



You may procure lamps from Authorised Service Agents.



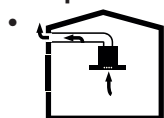
Bulb	
Bulb Power	2 W
Holder / Socket	L14
Bulb Voltage	110 - 240 V

3 Using the appliance

Size	34.5*120 mm
Luminous flux	81 lm
Correlated colour temperature	4050 K

This product contains a light source of energy efficiency class "A".

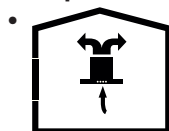
3.5 Operation with chimney connection



Vapour is extracted through the flue duct, which is fastened to the connection head on the hood.

- The diameter of the flue duct must be the same as the connection ring. In horizontal settings, the pipe has to have a slight upward slope (around 10°) so that the air can exit the room easily.

3.6 Operation without chimney connection



Air is filtered through the carbon filter and recirculated in the room. Carbon filter is used when it is impossible to use a flue in the house.

- In flue less use, remove the flaps inside the flue adapter.
- Remove the aluminium grease filter. To install the carbon filter, fit the filter to the tabs by centring it on the plastic piece on both sides of the fan body. Tighten it by turning right or left.
- Replace aluminium grease filter.

4 Cleaning and maintenance

The device should be cleaned and maintained regularly. Failure to keep the device clean will adversely affect the service life of the device. For cleaning and maintenance, follow the instructions stated in the manual.



Before cleaning and maintenance, unplug the product or turn off the switch.

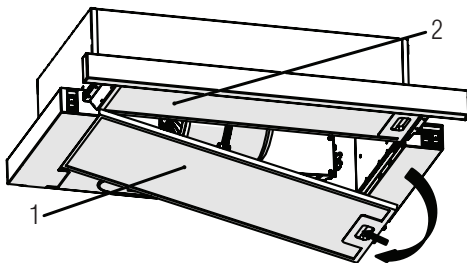


Non-compliance with the provisions associated with the cleaning of the device and replacement of the filters may result in a risk of fire. Therefore, it is recommended to follow the guidelines stated here. The manufacturer is not responsible for the engine damages or fires originating from the improper use.

Clean using only a cloth dampened with a neutral liquid detergent. Do not use abrasive products or alcohol.

4.1 Cleaning of grease filter

This filter captures particles in the air. You are recommended to clean your filter every month under normal usage conditions. First remove the grease filters for this process. Wash the filters with liquid detergent and rinse them with water and install them back after they get dry. Grease filters may get discolored as they are washed; this is normal and you don't need to change your filter.



- Push the grease filter lock forward.
- Then pull it slightly down and pull it out. Otherwise, you may bend the filter. Wash and rinse grease filter with liquid detergent and replace grease filter to their seats by carrying out the steps specified above in reverse order. These grease filter are used to retain the oil particles

in the air.



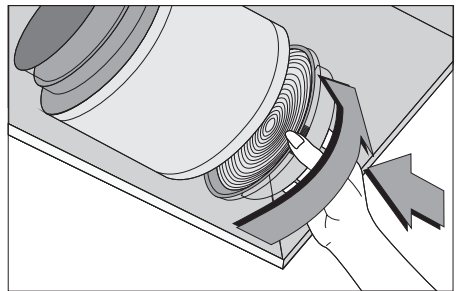
You may also wash the grease filter in the dishwasher.



CAUTION: In case of normal use, clean your grease filter once in a month.

4.2 Replacement of Carbon Filters

Odour removing filters contain charcoal (Active carbon). Grease filter must be installed in the product, regardless of whether or not carbon filters are used.



- Remove the grease filter.
- To remove the carbon filter, remove the carbon filter from its housing by rotating it counter-clockwise from the tab.
- Install the new carbon filter.
- Install the grease filter.



CAUTION:

- Carbon filter shall never be washed.
- Replace carbon filters once every 3 months.
- You can obtain the carbon filter from the authorized services.

5 Installation of appliance



WARNING: Before starting the installation, read the safety information on User Manual.

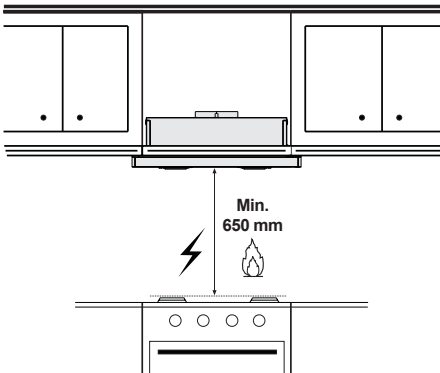


WARNING: Failure to install with screws and stabilizers in accordance with these instructions may result in electric shock.

For the installation of the hood, please contact the nearest Authorized Service.

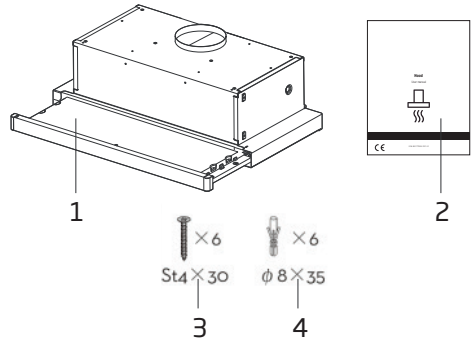
It is the customer's responsibility to prepare the location and electrical installation of the hood.

5.1 Position of the appliance



- Distance between the cooker and the cooker hood must be considered prior to assembly. This distance should be 65 cm.
- Distance must be measured from the surface of grate for gas cookers, from surface of glass for electric cookers.

5.2 Installation accessories



1. Hood
2. User manual
3. Screws x6
4. Plastic dowel x6

5.3 Installation

Two methods for installation

Method A:

To install onto the wall drill 2 holes of $\varnothing 8\text{mm}$ on a suitable place according with the centre distance of hole in the back of the cooker hood.

Insert the nut into the holes.

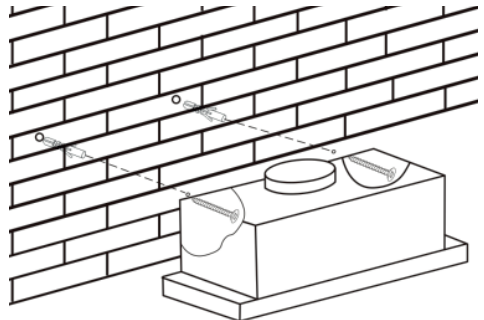
Insert the screws into the nuts and tight.

Put the cooker hood onto the tighten screws.

Fix the cooker hood with safety screw.

The two safety vents are positioned on the back casing, with diameter of 6mm.

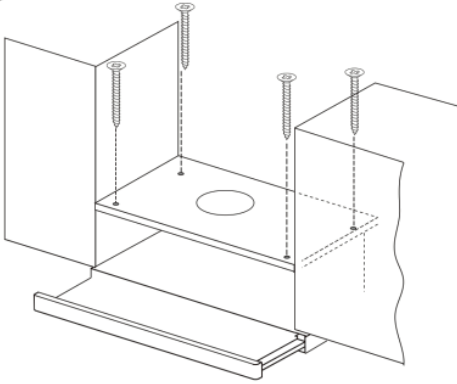
Put the one way valve onto the cooker hood.



5 Installation of appliance

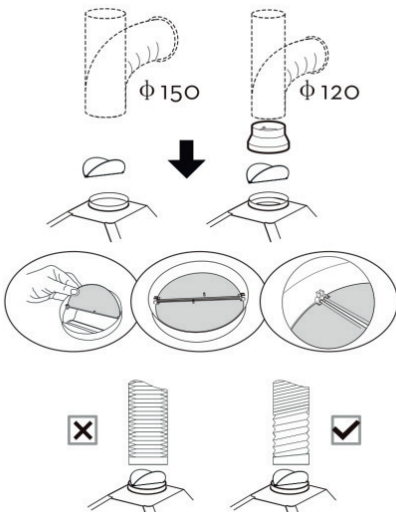
Method B:

Drill 4 holes of 6mm diameter at the bottom of the hanging cupboard. Put the one way valve on the cooker hood, then install the cooker hood on the bottom of the hanging cupboard, tighten the hood with enclosed 4 screws.



- The extensible pipe are optional accessory, not supplied.
- Take off protection film before installation.

5.4 Air outlet installation method



Installation method for 150mm diameter pipe: Insert the one-way-valve as the picture and fix the pipe.



ATTENTION: The bump of the one-way-valve must be upward.

Installation method for 120mm diameter pipe: Insert the damper as the picture and fix the converter before placing the duct.

The pipe near the air outlet need to be fully extended.

5.5 Storage

- If you do not intend to use the appliance for a long time, please store it carefully.
- Please make sure that the appliance is unplugged, cooled down and totally dry.
- Store the appliance in a cool and dry place.
- Keep the appliance out of the reach of children

5.6 Handling and transportation

- During handling and transportation, carry the appliance in its original packaging. The packaging of the appliance protects it against physical damages.
- Do not place heavy loads on the appliance or the packaging. The appliance may be damaged.
- Dropping the appliance will render it non-operational or cause permanent damage.

6 Troubleshooting

Troubleshooting	Reason	Help
The product does not work.	Check your fuse.	Your fuse might be closed, make it work.
The product does not work.	Check the electrical connection.	The mains voltage should be between 220-240 V.
The product does not work.	Check the electrical connection.	Check if the other products in your kitchen are working or not.
The lighting lamp does not work.	Check the electrical connection.	The mains voltage should be between 220-240 V.
The lighting lamp does not work.	Check the lamp switch.	The lamp switch should be in the "on" position.
The lighting lamp does not work.	Check the lamps.	The lamps of the product should not be faulty.
The air intake of the product is poor.	Check the aluminum filter.	The aluminum oil filter should be cleaned at least once a month under normal conditions.
The air intake of the product is poor.	Check the air vent flue.	The air vent flue should be in the "on" position.
The air intake of the product is poor.	Check the carbon filter.	For products with carbon filters, the filter should normally be changed every 3 months.

Алдымен осы пайдаланушы нұсқаулығын оқып шығыңыз!

Құрметті тұтынушы,

Осы Hotpoint құрылғысын жөн көргеніңізге рахмет. Жоғары сапалы және заманауи технология арқылы өндірілген құрылғыңыздан ең жақсы нәтижелер аласыз деп үміттенеміз. Осы себепті, құрылғыны пайдалану алдында осы толық пайдаланушы нұсқаулығын және барлық басқа ілеспе құжаттарды мұқият оқып шығыңыз және болашақта пайдаланатын анықтама ретінде сақтаңыз. Құрылғыны басқа біреуге берсеңіз, пайдаланушы нұсқаулығын да беріңіз. Нұсқауларды орындаңыз, пайдаланушы нұсқаулығындағы бүкіл ақпарат пен ескертулерге көңіл бөліңіз.

Сондай-ақ бұл пайдаланушы нұсқаулығы басқа үлгілерге қатысты болуы мүмкін екенін есте сақтаңыз. Үлгілер арасындағы айырмашылықтар нұсқаулықта ашық түрде сипатталған.

Таңбалардың мағыналары

Осы пайдаланушы нұсқаулығының әртүрлі бөлімдерінде келесі таңбалар пайдаланылады:



Маңызды ақпарат және пайдалану туралы пайдалы кеңестер.



ЕСКЕРТУ: Өмір мен мүліктің қауіпсіздігіне қатысты қауіпті жағдайлар туралы ескертулер



ЕСКЕРТУ: Өрт қаупі туралы ескерту.



ЕСКЕРТУ: Ток соғуы туралы ескерту.



ҚАЙТА ӨНДЕЛГЕН ЖӘНЕ
ҚАЙТА ӨНДЕЛМЕЛІ ҚАҒАЗ

1 Қауіпсіздік және қоршаған орта туралы маңызды нұсқаулар

1.1 Жалпы қауіпсіздік

Қауіпсіздік туралы маңызды нұсқаулар. Мұқият оқып шығып, болашақта анықтама алу үшін сақтап қйыңыз. Бұл бөлімде өрт, ток соғуы, шағын толқындардың әсері, жарақат алу немесе мүліктің зақымдалуы қаупінен қорғауға көмектесетін қауіпсіздік туралы нұсқауларды қамтиды. Бұл нұсқауларды орындамау кез келген кепілдіктің күшін жояды.

• Hotpoint өнімдері тиісті қауіпсіздік стандарттарының талаптарына сай; сондықтан, құрылғыда немесе қуат кабелінде кез келген зақым болған жағдайда, кез келген қауіпті болдырмау үшін оны дилер, сервистік орталық немесе маман және солар сияқты өкілетті сервис жөндеуі немесе ауыстыруы керек. Ақаулы не-

месе білікті емес жөндеу жұмысы қауіпті болуы және пайдаланушыға қауіп төндіруі мүмкін.

- Бұл құрылғы үйде және келесі сияқты ұқсас қолдану жағдайларында пайдалануға арналған:
 - Дүкендердегі, кеңселердегі және басқа жұмыс орталарындағы қызметкерлердің асүй аумақтары;
 - Ферма үйлері
 - Қонақ үйлердегі және басқа тұрмыстық түрге жататын орталардағы клиенттер;
 - Тамақ және таңғы ас түріне жататын орталар.
- Құрылғыны мақсатына сай, тек осы нұсқаулықта сипатталғандай пайдаланыңыз.
- Өндіруші өнімді тиісті емес орнату немесе дұрыс емес пайдалану нәтижесіндегі

1 Қауіпсіздік және қоршаған орта туралы маңызды нұсқаулар

зақымдарға жауапты болмайды.

- Бұл құрылғыны 8 жастағы және одан асқан балалар және дене, сезім немесе ақыл-ой қабілеттері төмен, я болмаса тәжірибесі және білімі жоқ адамдар қадағалау астында немесе құрылғыны қауіпсіз жолмен пайдалану туралы нұсқаулар берілсе және қатысты қауіптерді түсінсе пайдалана алады.
- Балаларға құрылғымен ойнауға рұқсат етпеу керек. Балалар тазалауды және пайдаланушылық техникалық қызмет көрсетуді қадағалаусыз орындамаулары керек.
- Жанарғыдағы әзірлеу ыдыстарына арналған тірек беті және өнімнің ең төменгі бөлігі арасындағы ең аз қашықтық кемінде 65 см болуы

керек.

- Газ жанарғысын орнату туралы нұсқауларда үлкенірек қашықтық көрсетілген болса, мұны ескеру керек.
- Желілік қуат көзі құрылғының зауыттық тақтайшасында берілген ақпаратқа сай екенін тексеріңіз.
- Қуат кабелі немесе құрылғының өзі зақымдалған болса, құрылғыны ешқашан пайдаланбаңыз.
- Қыспау, майыстырмау немесе үшкір жиектерге үйкемеу арқылы қуат кабелінің зақымын болдырмаңыз. Қуат кабелін ыстық беттерден және ашық жалыннан аулақ ұстаңыз.
- Құрылғыны тек жерге қосылған розеткада пайдаланыңыз.

ЕСКЕРТУ: Орнату толығымен аяқталған-

1 Қауіпсіздік және қоршаған орта туралы маңызды нұсқаулар

ша құрылғыны желіге қоспаңыз.

- Құрылғыны ашаға әрқашан қол жеткізуге болатындай орналастырыңыз.

- Ұзақ уақыт бойы жұмыс істесе, шамдарға тиімеңіз. Олар қолдарды күйдіруі мүмкін, өйткені олар ыстық болады.

- Құзіретті органдар қолданылған ауаны шығаруға қатысты белгілеген ережелерін сақтаңыз (бұл ескерту түтін тартқышсыз пайдалануға тиісті емес).

- Құрылғыны жанарғыға кәстрөлді, терең емес кәстрөлді, т.б. қойғаннан кейін қосыңыз. Әйтпесе, қатты жылу өнімнің кейбір бөліктерінде деформацияны тудыруы мүмкін.

- Кәстрөлді, терең емес кәстрөлді, т.б. алу алдында жанарғыны

өшіріңіз.

- Жанарғыда ыстық майды қалдырмаңыз. Ыстық май бар терең емес кәстрөлдер өзіндік тұтануға әкелуі мүмкін.

- Перделерге және қақпақтарға назар аударыңыз, өйткені қуырылған картоп сияқты тамақты әзірлеу кезінде май өртенуі мүмкін.

- Май сүзгісін кемінде ай сайын ауыстырып тұру керек. Көміртектік сүзгіні кемінде 3 ай сайын ауыстырып тұру керек.

- Өнімді пайдаланушы нұсқаулығына сай тазалау керек. Тазалау пайдаланушы нұсқаулығына сай орындалмаса, өрт қаупі болуы мүмкін.

- Ағымдағы сүзгінің орнына өртке төзімді емес сүзу материалдарын пайдаланбаңыз.

- Тек түпнұсқалық бөлшектерді немесе

1 Қауіпсіздік және қоршаған орта туралы маңызды нұсқаулар

- өндіруші ұсынған бөлшектерді пайдаланыңыз.
- Өнімді сүзгісіз қоспаңыз және өнім жұмыс істеп тұрғанда сүзгілерді алмаңыз.
- Өрт басталған жағдайда, өнімнің және әзірлеу құрылғыларының қуатын өшіріңіз.
- Өрт басталған жағдайда, жалынды жабыңыз және өртті сөндіру үшін суды ешқашан пайдаланбаңыз.
- Өр тазалау алдында және құрылғы пайдаланылып жатпағанда, құрылғыны розеткадан ажыратыңыз.
- Электр жанарғыға арналған ауа сорғыш және электр тогынан басқа энергия түрінен жұмыс істейтін құрылғылар бір уақытта жұмыс істегенде, қоршаған ортадағы теріс қысым 4 Па (4 x 10 бар) мәнінен аспауы керек.
- Құрылғы пайдаланылып жатқан қоршаған ортада, бөлме жылытқышы сияқты майдан немесе газдан жұмыс істеп жатқан құрылғылардың қолданылған ауасын толығымен оқшаулау керек немесе құрылғы герметикалық болуы керек.
- Түтін тартқышты жалғағанда, диаметрі 120 немесе 150 мм құбырларды пайдаланыңыз. Құбыр қосылымы мүмкіндігінше қысқа болуы және мүмкіндігінше азырақ буындары болуы керек.
- Тұншығу қаупі бар! Бүкіл орауыш материалдарын балалардан аулақ ұстаңыз.

САҚТЫҚ ЕСКЕРТУ:

Әзірлеу құрылғыларымен бірге пайдаланғанда қол жеткізуге болатын бөліктер қызуы мүмкін.

- Өнім шығысын басқа

1 Қауіпсіздік және қоршаған орта туралы маңызды нұсқаулар

түтінді қамтитын ауа арналарына жалғамау керек.

- Электр жанарғыға арналған ауа сорғыш газбен немесе басқа отындармен жұмыс істетінін құрылғылармен бір уақытта пайдаланылғанда, бөлмедегі желдету жеткіліксіз болуы мүмкін (бұл тек ауаны бөлмеге қайтадан шығаратын құрылғыларға қатысты емес болуы мүмкін).

- Өнімге қойылған заттар құлауы мүмкін. Өнімге ешбір заттарды қоймаңыз.

- Өнім астында фламбе жасамаңыз.

ЕСКЕРТУ: Ауа сорғышты орнату алдында қорғағыш үлдірлерді алыңыз.

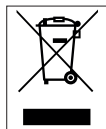
- Жұмыс істеп тұрғанында ауа сорғыштың астында жоғары ашық жалын-

дарды ешқашан қалдырмаңыз

- Пайдалану кезінде терең қуырма ыдыстарды үздіксіз бақылау керек: қызып кеткен май жануы мүмкін.

1.2 WEEE директивасының талаптарына сәйкестік және қоқыс өнімді қоқысқа лақтыру:

Бұл EU WEEE директивасының (2012/19/EU) талаптарына сай. Бұл өнімде қоқыс электр және электрондық жабдық (WEEE) жіктеу таңбасы бар.



Бұл таңба осы өнімді қызмет көрсету мерзімі аяқталғанда басқа тұрмыстық қоқыспен бірге қоқысқа лақтырмау керектігін көрсетеді.

Пайдаланылған құрылғыны электр және электрондық құрылғыларды қайта өңдеуге арналған ресми жинау орнына қайтару керек. Бұл жинау жүйелерін табу үшін жергілікті органдарға немесе өнім сатып алынған дүкенге хабарласыңыз. Өр отбасы ескі құрылғыны қалпына келтіруде және қайта өңдеуде маңызды рөл ойнайды. Пайдаланылған құрылғыны тиісті түрде қоқысқа лақтыру қоршаған ортаға және адамдардың денсаулығына ықтимал теріс салдарларды болдырмайды.

1.3 RoHS директивасының талаптарына сәйкестік

Сіз сатып алған өнім EU RoHS директивасының (2011/65/EU) талаптарына сай. Ол директивада көрсетілген зиянды және тыйым салынған материалдарды қамтымайды.

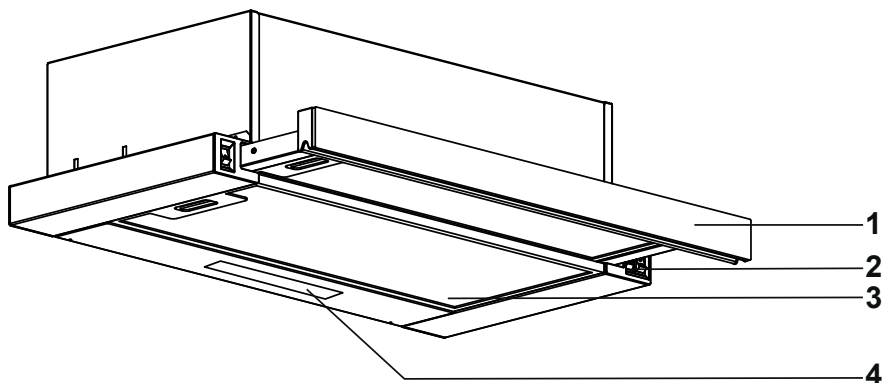
1.4 Орауыш туралы ақпарат



Өнімнің орауыш материалдары ұлттық қоршаған орта туралы ережелер сай қайта өңдеуге болатын материалдардан өндірілген. Орауыш материалдарын тұрмыстық немесе басқа қоқыстармен бірге қоқысқа лақтырмаңыз. Оларды жергілікті органдар белгілеген орауыш материалдарды жинау орындарына апарыңыз.

2 Жалпы сыртқы түрі

2.1 Шолу






1. Цилиндричен панел
2. Басқару тақтасы
3. Май тұтқыш сүзгі
4. Жарықтандыру

2.2 Техникалық деректер

Үлгі	HPTF 63R IX	HPTF 63R WHG	HPTF 63R BLG
Қуат кернеуі және жиілік	220-240 В ~ 50/60 Гц		
Шамның қуаты	1x2 Вт		
Қозғалтқыш қуаты	65 Вт		
Ағын жылдамдығы – 3. Деңгей	319.8 м³/сағ		
Оқшаулау сыныбы	I класы		
Түсі	Сарғыш	Ақ шыны	Қара шыны

3 Құрылғыны пайдалану

3.1 Құрылғыны басқару

Шам түймесі		Өнім түймесін қосу үшін ауыстырғышты шам күйіне қойыңыз. Шамды қосу үшін сырғытпа жинағы тартылған күйде болуы керек.
Переключатель 1-й и 2-й скорости.		Қосқышты төмен күйіне қойғанда 1-ші жылдамдыққа ауысады, ал жоғары қойғанда 2-ші жылдамдыққа ауысады. Өшіру үшін «0» күйіне орнатыңыз.
3. Переключатель скорости		3-ші жылдамдыққа ауысу үшін ауыстырғышты төменгі күйге қойыңыз. Өшіру үшін «0» күйіне орнатыңыз.

3.2 Энергияны тиімді пайдалану

- Құрылғыны пайдалану кезінде энергияны үнемдеу үшін жылдамдық параметрлерін бу мен иіс қарқындылығына сәйкес реттеңіз.
- Қалыпты жағдайда төмен жылдамдықты (1-2) және қарқынды иіс пен бу үшін жоғары жылдамдықты (3) пайдаланыңыз.
- Ас үй түтін сорғысындағы шамдар тамақ дайындау алаңын жарықтандыруға арналған.
- Шамдарды қоршаған ортаны жарықтандыру үшін пайдалану энергияның қажетсіз шығынына және жарықтың жеткіліксіздігіне әкеліп соғады.
- Құрылғыңыз қуатты азырақ тұтынсын десеңіз, оны жылдамдықтың төменгі деңгейінде жұмыс істетіңіз.
- Оған ауа жеткілікті түрде енетіндей жағдай жасасаңыз, құрылғыңыз тиімді жұмыс істеп, азырақ қуат тұтынады.
- Бу көп шығарын білсеңіз, бу пайда болмас бұрын құрылғыңызды сору қуаттылығының жоғары деңгейіне қойыңыз. Сонда құрылғыңызға ауа жеткілікті түрде енетіндіктен, оны аз ғана уақыт қолданып, тұтынылатын электр қуаты мөлшерін азайтасыз.
- Шығатын бу көлемін азайту үшін ыдыс қақпағын жауып қойыңыз.

3.3 Ас үй түтін сорғысын басқару

- Сіздің құрылғыңызда әртүрлі айналу жылдамдығы бар қозғалтқыш орнатылған.
- Өнімділікті арттыру үшін қалыпты жағдайда төмен жылдамдықты және күшті иістер мен қарқынды булану жағдайында жоғары жылдамдықты қолдануды ұсынамыз.
- Қажетті жылдамдықты орнату батырмасын басу арқылы құрылғыны іске қосуға болады. (1, 2, 3).
- Тамақ дайындау алаңын шамды басу арқылы жарықтандыруға болады.

3 Құрылғыны пайдалану

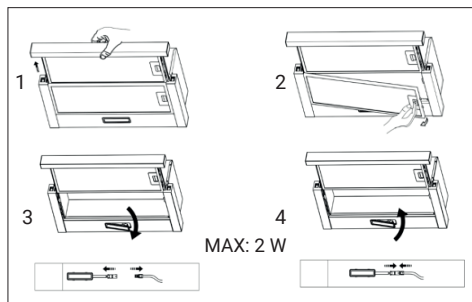
3.4 Шамды ауыстыру



- Шамдарды ауыстырмас бұрын түтін шығарғыштың қуат көзін ажыратыңыз.
- Шамдарды ыстық кезде ұстамаңыз.
- Ауыстырылған шамды қолдарыңызбен тікелей ұстамаңыз.



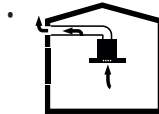
Сіз шамдарды өкілетті қызмет көрсету агенттерінен сатып ала аласыз.



Шам	
Шам қуаты	2 Вт
Ұстағыш / Ұяшық	L14
Шам кернеуі	110 240 V
Көлем	34.5*120 mm
Жарық ағыны	81 lm
Корреляцияланған түс температурасы	4050 K

Бұл құрылғыда «А» энергия тиімділік класына жататын жарық көзі бар.

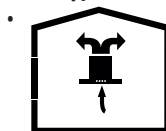
3.5 Мұржаны қосу жұмыстары



Түтін ас үй сорғысындағы байланыс басына бекітілген түтін мұржасы арқылы шығарылады.

- Мұржаның диаметрі байланыстырушы сақинаның диаметріне сәйкес келуі керек. Көлденең қалыпта ауа бөлмеден оңай шығып кетуі үшін мұржа аздап жоғарыға (шамамен 10°) иілген болуы керек.

3.6 Мұржаны қоспай пайдалану



Ауа көміртек сүзгісі арқылы сүзіледі және бөлмеде қайта циркуляцияланады. Үйде мұржаны пайдалану мүмкін болмаған кезде көміртек сүзгісі қолданылады.

- Мұржасыз пайдаланған кезде, мұржаның адаптерінің ішіндегі клапандарды алып тастаңыз.
- Май тұтқыш сүзгіні алып тастаңыз. Көмір сүзгісін орнату үшін сүзгіні желдеткіш корпусының екі жағындағы пластикалық бөліктің орталығына қарай бағыттап, шығыңқы жерлерге орнатыңыз. Оны оңға немесе солға бұру арқылы қатайтыңыз.
- Май тұтқыш сүзгіні ауыстырыңыз.

4 Тазалау және техникалық қызмет көрсету

Құрылғыны тұрақты түрде тазалап, күтіп ұстау керек. Құрылғы таза ұсталмаса, оның қызмет көрсету мерзімі кемиді. Тазалау мен күтімді нұсқаулықтағы кеңестерге сай жүргізіңіз.



Тазалау және техникалық қызмет көрсету алдында құрылғыны розеткадан ажыратыңыз немесе түтін шығарғышқа қуат өткізетін сақтандырғышты босатыңыз.

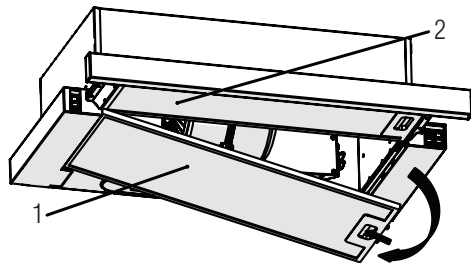


Құрылғыны тазалауға және сүзгілерді ауыстыруға қатысты ережелерді сақтамау өрт қауіптерін тудыруы мүмкін. Сондықтан осында келтірілген нұсқауларды орындау ұсынылады. Өндіруші қозғалтқыштың зақымдалуына немесе тиісті емес пайдалану тудырған өрт үшін жауап бермейді.

Тек бейтарап сұйық жуғыш затпен суланған шүберекпен тазалаңыз. Құралдармен немесе аспаптармен тазаламаңыз. Абразивті өнімдерді пайдаланбаңыз. Алкогольді пайдалануға болмайды.

4.1 Алюминий май сүзгісін тазалау

Бұл сүзгі ауадағы май бөлшектерін ұстайды. Қалыпты пайдалану жағдайларында сүзгіні ай сайын тазалау ұсынылады. Алдымен осы процесте май сүзгілерін алыңыз. Сүзгілерді сұйық жуғыш затпен жуып, сумен шайып, құрғағаннан кейін қайта орнатыңыз. Алюминий май сүзгілері жуған кезде түссізденуі мүмкін; бұл қалыпты жағдай және сүзгіні ауыстырудың қажеті жоқ.



- Май тұтқыш сүзгіні алға қарай итеріңіз.
- Содан кейін оны сәл төмен тартып, шығарып алыңыз. Өйтпесе, сүзгіні майыстырып алуыңыз мүмкін. Май тұтқыш сүзгіні сұйық

жуғыш затпен жуып, шайыңыз, жоғарыда көрсетілген әрекеттерді кері ретпен орындап, май ұстайтын сүзгіні ұяларына қойыңыз. Бұл сүзгі ауадағы май бөлшектерін ұстайды.



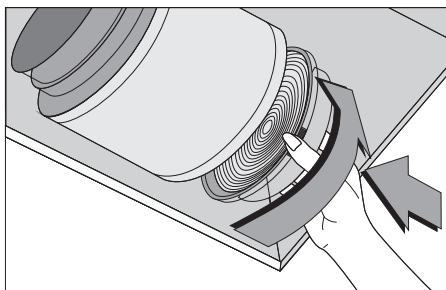
Алюминий сүзгісін ыдыс жуғышта жууға болады



АБАЙЛАҢЫЗ: Қалыпты жағдайда пайдалану кезінде сүзгіні айына бір рет тазалап тұрыңыз.

4.2 Көмір сүзгілерін ауыстыру

Иісті жоятын сүзгілердің құрамында көмір бар (белсендірілген көмір). Май тұтқыш сүзгіні көміртек сүзгілердің пайдаланылып-пайдаланылмайтына қарамастан өнімге орнату керек.



- Май тұтқыш сүзгіні алыңыз
- Көміртек сүзгіні алып тастау үшін көміртек сүзгіні қойындыдан сағат бағытына қарсы қарай айналдырып, орнынан алып тастаңыз.
- Жаңа көміртек сүзгіні орнатыңыз.
- Май тұтқыш сүзгіні орнатыңыз.



САҚТЫҚ ЕСКЕРТУ

- Көміртек сүзгіні ешқашан жууға болмайды.
- Көміртек сүзгілерді әр 3 ай сайын ауыстырып отырыңыз.
- Сіз көміртек сүзгіні уәкілетті қызмет көрсету орталықтарынан ала аласыз.

5 Құрылғыны реттеу



ЕСКЕРТУ: Орнатуды бастамас бұрын, пайдаланушы нұсқаулығындағы қауіпсіздік туралы ақпаратпен танысыңыз

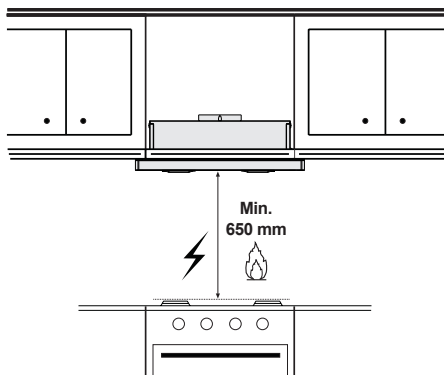


ЕСКЕРТУ : Бұрандалармен және тұрақтандырғыштармен орнату кезінде осы нұсқаулықты орындамау электр тогының соғуына әкелуі мүмкін.

Ас үй түтін сорғысын орнату үшін жақын жердегі уәкілетті қызмет көрсету орталығына хабарласыңыз.

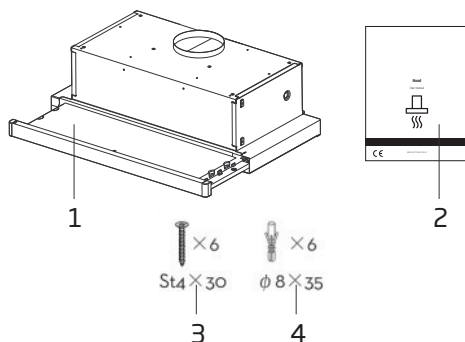
Ас үй түтін сорғысын орнату және қуат көзіне қосу орнын дайындау жауапкершілігі тапсырыс берушіге жүктеледі.

5.1 Құрылғыны орналастыру



- Плита мен ас үй түтін сорғысының арасындағы арақашықтық орнатылғанға дейін ескерілуі керек. Бұл арақашықтық 65 см-ді құрауы керек .
- Арақашықтық газ плиталарына арналған тор бетінен, электр плиталарына арналған шыны бетінен бастап өлшенуі тиіс.

5.2 Орнату аксессуарлары



1. Түтін шығарғыш
2. Пайдаланушы нұсқаулығы
3. Бұрандасы x6
4. Пластик дюбель x6

5.3 Орнату

Орнатудың екі әдісі

А-әдісі:

Қабырғаға орнату үшін ауа сорғыштың артқы жағындағы оралық тесікке қарай тиісті жерде диаметрі 8 мм 2 саңылау бұрғылаңыз.

Тесікке дюбельді салыңыз.

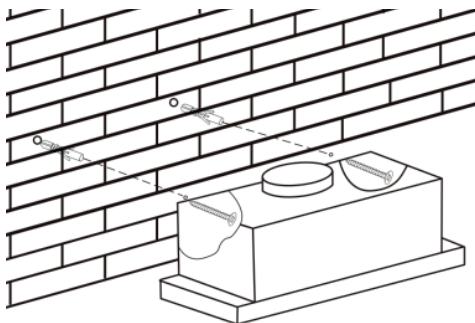
Бұрандаларды дюбельге бұрап, қатайтыңыз.

Ауа сорғышты қатайтылған бұрандаларға қойыңыз.

Ауа сорғышты қосымша бұрандамен бекітіңіз.

Екі қауіпсіздік саңылаулары диаметрі 6 мм болатын артқы корпуста орналасқан.

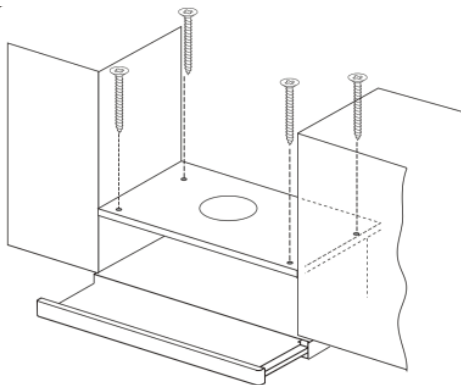
Бір бағыттық клапанды ауа сорғышқа қойыңыз.



5 Құрылғыны реттеу

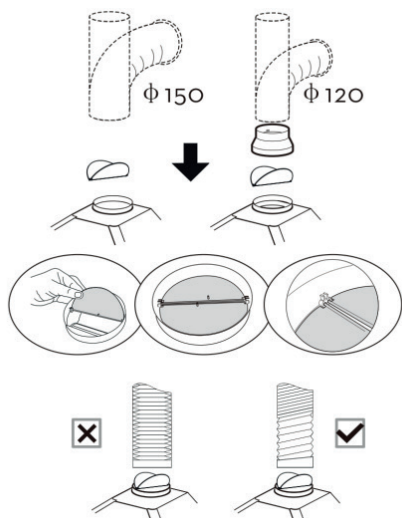
В-әдісі:

Аспалы шкафтың төменгі жағына диаметрі 6 мм болатын 4 тесікті бұрғылаңыз. Бір бағыттық клапанды ауа сорғышқа қойып, ауа сорғышты аспалы шкафтың астына орнатып, ауа сорғышты 4 бұрандамен қатайтыңыз.



- Созылғыш құбыр қосымша зат, ол өніммен бірге жүрмейді.
- Орнату алдында қорғаныс үлдірін алып тастаңыз.

5.4 Ауа шығысын орнату әдісі



Диаметрі 150 мм құбырға арналған орнату әдісі: Бір бағыттық клапанды суреттегідей орнатып, құбырды бекітіңіз.



НАЗАР АУДАРЫҢЫЗ: Бір бағыттық клапанның шығындысы жоғары қарап тұруы тиіс.

Диаметрі 120 мм құбырға арналған орнату әдісі: Дампферді суреттегідей салып, ауа арнасын орналастырмас бұрын, түрлендіргішті бекітіңіз.

Ауа шығатын жердің жанындағы құбып толықтай созылуы тиіс.

5.4 Сақтау

- Егер ұзақ уақыт бойы пайдаланбайтын болсаңыз, құрылғыны дұрыс сақтауға қойыңыз.
- Құрылғы ажыратылғанын, суытылғанын және толығымен кептірілгенін тексеріңіз.
- Құрылғыны суық және құрғақ орында сақтаңыз.
- Құрылғыны балалар жетпейтін жерде ұстаңыз.

5.5 Қолдану және тасымалдау

- Қолдану және тасымалдау кезінде құрылғыны түпнұсқа орамында алып жүріңіз. Құрылғының қаптамасы оны физикалық зақымданудан қорғайды.
- Құрылғыға немесе қаптамаға ауыр жүк қоймаңыз. Құрылғы зақымдалуы мүмкін.
- Құрылғыны түсіріп алу оны жұмыс істемейді немесе тұрақты зақымдайды.

6 Ақаулықтарды жою

Ақаулықтарды жою	Себеп	Анықтама
Өнім жұмыс істемейді.	Сақтандырғышты тексеріңіз.	Сақтандырғыш жабық болуы мүмкін, оны қосыңыз.
Өнім жұмыс істемейді.	Электр қосылымды тексеріңіз.	Желілік кернеу 220-240 В арасында болуы керек.
Өнім жұмыс істемейді.	Электр қосылымды тексеріңіз.	Асүйдегі басқа өнімдер жұмыс істеп тұрғанын тексеріңіз.
Жарықтандыру шамы жұмыс істемейді.	Электр қосылымды тексеріңіз.	Желілік кернеу 220-240 В арасында болуы керек.
Жарықтандыру шамы жұмыс істемейді.	Шам ауыстырып-қосқышын тексеріңіз.	Шам ауыстырып-қосқышы қосулы күйінде болуы керек.
Жарықтандыру шамы жұмыс істемейді.	Шамдарды тексеріңіз.	Өнім шамдары ақаулы болмауы керек.
Өнімнің ауа кірісі нашар.	Алюминий сүзгіні тексеріңіз.	Қалыпты жағдайларда алюминий май сүзгісін кемінде айына бір рет тазалау керек.
Өнімнің ауа кірісі нашар.	Түтіндікті тексеріңіз.	Түтіндік қосулы күйінде болуы керек.
Өнімнің ауа кірісі нашар.	Көміртектік сүзгіні тексеріңіз.	Көміртектік сүзгісі бар өнімдер үшін сүзгіні әдетте 3 ай сайын ауыстырып тұру керек.

Өндіруші: "Arcelik A.S."

Karaağaç Caddesi No: 2-6 Sütlüce, 34445, Turkey/ Турция

Ресей Федерациясындағы импорттаушы / Өндіруші уәкілеттік берген тұлға:

ООО «Ай Эйч Пи Апплаенсес », 398005, Ресей, Липецк облысы, г.о. Липецк облысы, Липецк, Металлургов алаңы, 2 уй

Қазақстандағы сенім телефонының нөмірі - 8 800 100 57 31

Өнімнің жасалған күні сериялық нөміріне қосылған және құралдың заттаңбасында көрсетілген, атап айтқанда: Сериялық нөмірдің алғашқы екі саны зауыт кодын көрсетеді, келесі екі саны - шығарылған жылын, ал үшінші екі саны - нешінші аптасында өндірілгенін көрсетеді.

Мысалы, «7410-05-000001» өнім 2010 жылдың 5-ші аптасында шығарылғанын білдіреді.

Құралды сақтау шарттары және мерзімі, қызмет көрсету мерзімі.

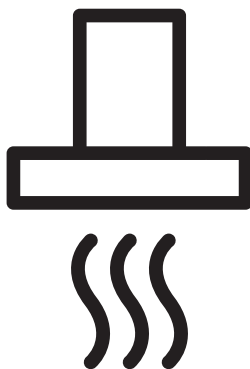
Құралды -40 °С –дан +50°С-ға дейінгі температурада жабық үй-жайда сақтаңыз

Құрал 2006/95/ЕС, 2004/108/ЕС Директиваларына сәйкес жасалған.

Hotpoint

Вытяжка настенная

Руководство пользователя



HPTF 63R BLG
HPTF 63R WHG
HPTF 63RIX

RU

Ознакомьтесь с этим руководством перед началом эксплуатации!

Уважаемый покупатель!

Благодарим Вас за выбор этого изделия компании Hotpoint. Мы надеемся, что продукция, изготовленная на современном оборудовании и имеющая высокий уровень качества, будет служить вам наилучшим образом. Для этого, перед началом эксплуатации, внимательно прочтите данное руководство и все прочие сопроводительные документы, и используйте их в дальнейшем в справочных целях. При передаче устройства другому лицу необходимо также передать это руководство. Соблюдайте указания, которые даны в этом руководстве пользователя, и обращайтесь особое внимание на справочные пометки и предупреждения.

Имейте в виду, что данное руководство пользователя может также относиться к другим моделям. Различия между моделями четко описаны в руководстве.

Условные обозначения

В разных разделах данного руководства пользователя используются следующие символы:



Важная информация и полезные советы относительно эксплуатации.



ВНИМАНИЕ: Предупреждения об опасности травмирования или повреждения имущества.



Предупреждение об опасности возникновения пожара.



Предупреждение об опасности поражения электрическим током.



ПЕРЕРАБОТАННАЯ И
ПЕРЕРАБАТЫВАЕМАЯ
БУМАГА

1 Важные инструкции по технике безопасности и защите окружающей среды

1.1. Общие правила техники безопасности

Важные инструкции по технике безопасности: внимательно ознакомьтесь и сохраните для дальнейшего использования. В этом разделе содержатся правила техники безопасности, соблюдение которых позволит исключить риск возникновения пожара, поражения электрическим током, воздействия утечек микроволнового излучения, получения иных травм или причинения материального ущерба. При несоблюдении этих правил все гарантийные обязательства аннулируются.

• Изделия торговой марки Hotpoint соответствуют действующим стандартам безопасности. В случае повреждения электроприбора или шнура питания, во избе-

жание опасных ситуаций, ремонт или замена должны производиться дилером, сервисным центром, специалистом или авторизованной службой. Неправильно или непрофессионально выполненные ремонтные работы могут привести к опасным для пользователя ситуациям.

- Этот прибор предназначен только для бытового и сходного с ним применения, а именно:
 - в кухонных зонах для персонала в магазинах, офисах и других рабочих помещениях;
 - на фермах;
 - в номерах гостиниц, мотелей и т. п.;
 - в помещениях, предоставляемых для проживания на условиях полупансиона.
- Используйте данный

1 Важные инструкции по технике безопасности и защите окружающей среды

электроприбор только по его прямому назначению, как описано в данном руководстве.

- Производитель не несет ответственности за любые повреждения, возникшие в результате неправильного использования или неправильной установки изделия.
- Дети старше 8 лет, а также лица с ограниченными физическими, сенсорными и умственными способностями или без соответствующих навыков и опыта могут использовать данный прибор только под присмотром или после получения инструкций по поводу безопасного использования прибора и осознания связанных с этим опасностей.
- Не позволяйте детям играть с прибором. Не позволяйте детям самостоятельно выполнять очистку и обслуживание прибора.
- Минимальное расстояние между опорной поверхностью емкостей для приготовления пищи на варочной панели и самой нижней частью изделия должно быть не менее 65 см.
- Если в инструкции по установке газовой плиты указано большее расстояние, это следует принять во внимание.
- Напряжение сети питания должно соответствовать номинальным характеристикам, указанным на паспортной табличке электроприбора.
- Ни в коем случае не пользуйтесь электроприбором, если шнур питания или электроприбор повреждены.
- Во избежание по-

1 Важные инструкции по технике безопасности и защите окружающей среды

вреждения шнура питания не допускайте его сдавливания, перегиба или контакта с острыми кромками. Не допускайте соприкосновения шнура питания с горячими поверхностями или открытым пламенем.

- Включайте прибор только в розетку с заземляющим контактом.

ВНИМАНИЕ: Не подключайте прибор к электросети до полного завершения работ по установке.

- Электроприбор следует располагать таким образом, чтобы штепсельная вилка была легкодоступна.
- Не прикасайтесь к лампам, если они работали в течение длительного времени. Это может вызвать ожог рук, поскольку лампы очень го-

рячие.

- Следуйте инструкциям, установленным компетентными органами относительно выпуска отработанного воздуха (данное предупреждение касается вентиляционных труб).
- Включите прибор после того, как поставите кастрюлю, сковороду и т. д. на варочную панель. В противном случае высокая температура может привести к деформации некоторых частей изделия.
- Отключайте варочную панель перед тем, как убрать с нее кастрюлю, сковороду и т.д.
- Не оставляйте горячее масло на варочной панели. Сковорода с горячим маслом может стать причиной самовозгорания.
- Следите за шторами и

1 Важные инструкции по технике безопасности и защите окружающей среды

- занавесками, поскольку при приготовлении таких блюд, как картофель фри масло может загореться.
- Замену жироулавливателя следует осуществлять, как минимум, раз в месяц. Замену угольного фильтра осуществлять, как минимум, раз в 3 месяца.
 - Чистку изделия необходимо выполнять в соответствии с инструкциями руководства пользователя. Если чистка изделия не осуществляется в соответствии с указаниями руководства пользователя, существует риск возникновения пожара.
 - Не используйте неогнеупорные фильтрующие материалы вместо текущего фильтра.
 - Используйте только оригинальные детали или же рекомендованные производителем детали.
 - Не эксплуатируйте изделие без фильтра и не снимайте фильтры во время работы изделия.
 - В случае возникновения пожара, отключите питание изделия и кухонной плиты.
 - В случае возникновения пожара, накройте источник огня. Применение воды для тушения не допускается.
 - Отключайте прибор от электросети перед чисткой, а также когда он не используется.
 - Отрицательное давление окружающей среды не должно превышать 4 Па (4 x 10 бар) во время одновременной работы вытяжки для электрической варочной панели и приборов, работающих от другого источника энергии.
 - В среде, где использу-

1 Важные инструкции по технике безопасности и защите окружающей среды

ется прибор, выхлопработающих на жидком топливе или газе, таких как комнатный обогреватель, должны быть полностью изолированы, или должны быть герметичными.

- При подсоединении к вытяжной трубе, используйте трубы диаметром 120 или 150 мм. Соединения труб должны быть как можно более короткими и иметь минимальное количество колен.

Существует опасность удушья! Храните упаковочные материалы в недоступном для детей месте.

О С Т О Р О Ж Н О : Доступные детали прибора могут нагреваться во время использования кухонных плит.

- Выход вытяжки нельзя подключать в воздуховодам, которые заняты

отводом других отработанных воздушных масс.

- Вентиляция в помещении может быть недостаточной в случае, если вытяжка для электрической варочной панели используется одновременно с устройствами, работающими на газе или других видах топлива (это не относится к приборам, которые только выпускают воздух обратно в помещение).
- Находящиеся на изделии предметы могут упасть. Не следует класть посторонние предметы на вытяжку.
- Фламбирование блюд под изделием не допускается.

ВНИМАНИЕ: Перед началом работ по установке вытяжки удалите защитную пленку.

- Никогда не оставляйте

1 Важные инструкции по технике безопасности и защите окружающей среды

открытым высоким пламя под работающей вытяжкой.

- Во время использования фритюрниц их необходимо держать под постоянным присмотром: сильно нагретое масло может загореться.

1.2 Соответствие требованиям Директивы WEEE (директива ЕС об отходах электрического и электронного оборудования) и утилизация отработавшего прибора:

Данное устройство соответствует Директиве ЕС WEEE по ограничению использования вредных веществ (2012/19/EU). Данный прибор имеет классификационный знак для отработанного электрического и электронного оборудования (WEEE).



Такой знак означает, что после завершения эксплуатации прибор запрещается выбрасывать вместе с прочими бытовыми отходами.

Использованное устройство необходимо вернуть в официальный пункт приема утилизируемых электрических и электронных устройств. Чтобы найти такие системы приема утиля, обратитесь в местные уполномоченные органы или к розничным продавцам, у которых был приобретен продукт. Каждое домашнее хозяйство выполняет важную роль в восстановлении и утилизации старого оборудования. Надлежащая утилизация отработавшего устройства позволяет предотвратить возможные негативные последствия для окружающей среды и здоровья человека.

1.3 Соответствие требованиям Директивы RoHS

Приобретенный Вами прибор соответствует требованиям Директивы RoHS EC (2011/65/EU). В нем не содержится вредных и запре-

щенных материалов, указанных в данной Директиве.

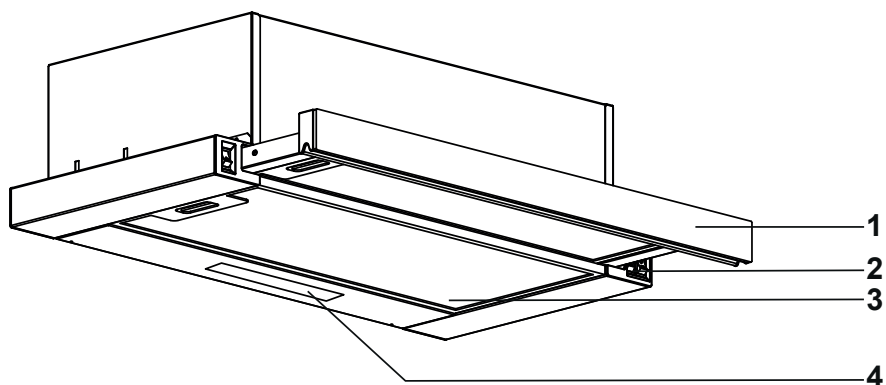
1.4 Информация об упаковке



Материалы упаковки устройства произведены из перерабатываемого сырья в соответствии с нашими национальными нормами по защите окружающей среды. Запрещается выбрасывать упаковочные материалы вместе с бытовыми и другими отходами. Отправьте их в точки сбора упаковочных материалов, указанные местными органами власти.

2 Общий вид

2.1 Краткое описание




1. Передняя панель
2. Панель управления
3. Алюминиевый жировой фильтр
4. Освещение

2.2 Технические данные

Модель	HPTF 63R IX	HPTF 63R WHG	HPTF 63R BLG
Напряжение и частота питания	220-240В~ 50/60 Гц		
Мощность лампы	1x2 Вт		
Мощность двигателя	65 Вт		
Воздушный Поток – 3. Уровень	319.8 м³/ч		
Класс изоляции	КЛАСС I		
Цвет	Нержавеющая сталь	Белое стекло	Черное стекло

3 Эксплуатация устройства

3.1 Управление устройством

Кнопка лампы		Чтобы включить лампу продукта, установите переключатель в положение лампы. Слайдер должен быть в вытянутом положении, чтобы включить лампу.
Переключатель 1-й и 2-й скорости.		Поместите переключатель в нижнее положение, чтобы изделие работало на 1-й скорости, и в верхнее положение, для работы на 2-й скорости. Чтобы выключить, установите его в положение "0".
3. Переключатель скорости		Поместите переключатель в нижнее положение, чтобы изделие работало на 3-й скорости. Чтобы выключить, установите его в положение "0".

3.2 Энергоэффективное использование

- При использовании вытяжки для экономии электроэнергии устанавливайте скорость в соответствии с интенсивностью образования пара или запаха.
- В обычных условиях используйте низкие скорости (1-2), а при интенсивном образовании пара и запаха – высокую (3).
- Лампы на вытяжке предназначены для освещения места готовки.
- Их использование для освещения помещения приведет к чрезмерному потреблению электроэнергии и будет недостаточным.
- Чтобы устройство потребляло меньше энергии, запустите его на низкой скорости.
- Ваше устройство снизит энергопотребление, так как оно будет работать более эффек-

тивно, когда вы обеспечите достаточный забор воздуха.

- Установите устройство на интенсивный уровень мощности всасывания перед образованием пара в тех случаях, когда вы знаете, что будет плотный пар. Таким образом, вы уменьшаете энергопотребление, используя свое устройство в течение более короткого времени, поскольку оно будет иметь достаточно эффективный отвод воздуха.
- Держите крышки посуды закрытыми, чтобы уменьшить выделение пара.

3.3 Эксплуатация вытяжки

- В вытяжке имеется мотор, работающий на разных скоростях.
- Для лучшей производительности мы рекомендуем использовать низкие скорости в нормальных условиях и высокие скорости в случае сильного запаха и интенсивного пара.
- Вы можете запустить прибор, нажав кнопку желаемой скорости. (1, 2, 3)
- Вы можете осветить зону приготовления, нажав на лампу.

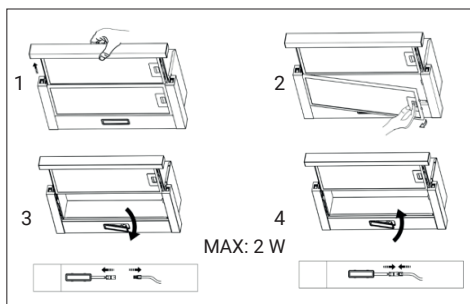
3.4 Замена лампы



- Перед заменой лампочек отсоедините вытяжку от электросети.
- Не прикасайтесь к лампам, когда они горячие.
- Будьте осторожны, чтобы не дотронуться до лампочки руками.



Вы можете приобрести лампы у авторизованных сервисных дилеров.

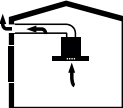


3 Эксплуатация устройства

Лампочка	
Мощность лампочки	2 Вт
Держатель / Гнездо	L14
Напряжение лампочки	110 - 240 В
Размер	34.5*120 мм
Световой поток	81 лм
Коррелированная цветовая температура	4050 К

Этот продукт содержит источник света класса энергоэффективности «А».

3.5 Работа с подключением к дымоходу

-  Пар выводится через дымоход, который крепится к соединительной головке вытяжки.

- Диаметр дымохода должен быть таким же, как у соединительного кольца. В горизонтальном положении труба должна иметь небольшой наклон вверх (около 10°), чтобы воздух мог легко выходить из комнаты.

3.6 Работа без подключения к дымоходу

-  Воздух фильтруется через угольный фильтр и рециркулирует в помещении. Угольный фильтр применяется, когда в доме нельзя использовать дымоход.
- При использовании без дымохода снимите заслонки внутри переходника дымохода.
- Снимите алюминиевый жировой фильтр. Чтобы установить угольный фильтр, прикрепите фильтр к выступам, центрируя его на пластиковом элементе с обеих сторон корпуса вентилятора. Затяните, повернув вправо или влево.
- Установите алюминиевый жировой фильтр.

4 Очистка и уход

Устройство следует регулярно чистить и обслуживать. Неподдержание устройства в чистоте отрицательно повлияет на срок службы устройства. Для очистки и технического обслуживания следуйте инструкциям, изложенным в руководстве.



Отключите устройство от сети или выключите соединения перед чисткой и техническим обслуживанием.



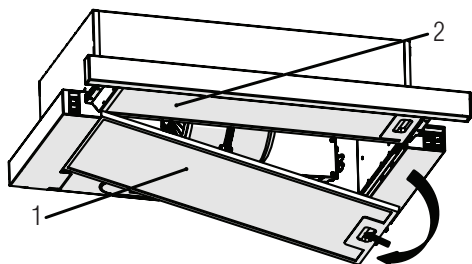
Несоблюдение положений, связанных с очисткой устройства и заменой фильтров, может привести к риску возгорания. Поэтому рекомендуется следовать приведенным здесь рекомендациям. Производитель не несет ответственности за повреждения двигателя или возгорания, возникшие в результате неправильного использования.

Протрите только тканью, смоченной нейтральным жидким моющим средством. Не чистите с помощью инструментов. Не используйте абразивные чистящие средства. Не используйте спирт.

4.1 Очистка алюминиевого жирового фильтра

Этот фильтр улавливает частицы масла в воздухе. Рекомендуется чистить фильтр каждый месяц при нормальных условиях использования. Для этого, сначала удалите жироулавливающие фильтры. Вымойте фильтры с жидким моющим средством и промойте их водой и установите их после того, как они высохнут. Алюминиевые жироулавливающие фильтры могут обесцвечиваться при чистке; это нормальное явление, и вам не нужно менять фильтр.

4 Очистка и уход



- Выдвиньте затвор алюминиевого масляного фильтра вперед.
- Затем слегка потяните вниз и вытащите. Иначе вы можете искривить фильтр. Вымойте и прополощите алюминиевые жировые фильтры жидким моющим средством и замените фильтры в их гнездах, выполнив действия, указанные выше, в обратном порядке. Этот фильтр задерживает частицы масла из воздуха.



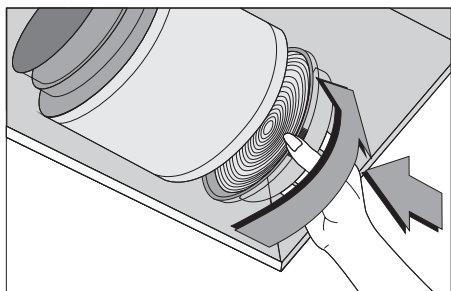
Вы также можете мыть алюминиевый жировой фильтр в посудомоечной машине.



ВНИМАНИЕ: В случае нормальной эксплуатации очищайте алюминиевый жировой фильтр один раз в месяц.

4.2 Замена угольных фильтров

Фильтры для удаления запахов содержат древесный уголь (активированный уголь). В продукт необходимо устанавливать алюминиевый жировой фильтр, независимо от того, используются ли угольные фильтры.



- Снимите алюминиевый жировой фильтр.
- Для того, чтобы снять угольный фильтр, изымите его из корпуса, повернув против часовой стрелки от таблички.
- Установите новый угольный фильтр.
- Установите алюминиевый жировой фильтр.

ВНИМАНИЕ



- Запрещено мыть угольные фильтры.
- Заменяйте угольные фильтры каждые 3 месяца.
- Вы можете приобрести угольный фильтр в авторизованных сервисах.

5 Установка изделия



ПРЕДУПРЕЖДЕНИЕ: Перед началом установки прочтите информацию по безопасности в Руководстве пользователя.

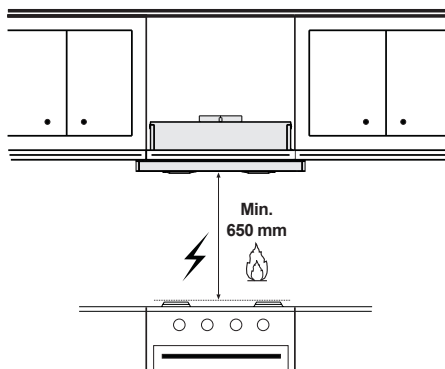


ПРЕДУПРЕЖДЕНИЕ: Несоблюдение инструкций по установке с помощью винтов и стабилизаторов может привести к поражению электрическим током.

По вопросам установки вытяжки обращайтесь в ближайший авторизованный сервисный центр.

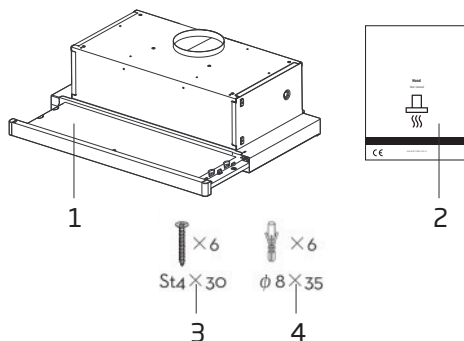
Заказчик несет ответственность за подготовку места и электрического монтажа вытяжки.

5.1 Положение изделия



- Перед сборкой необходимо учитывать расстояние между плитой и вытяжкой. Это расстояние должно составлять 65 см.
- Расстояние необходимо измерять от поверхности решетки для газовых плит, от поверхности стекла для электрических плит.

5.2 Принадлежности для установки



1. Вытяжка
2. Руководство по эксплуатации
3. Винты х6
4. Пластиковый дюбель х6

5.3 Установка

Два метода установки

Метод А:

Чтобы установить на стену, просверлите 2 отверстия диаметром $\varnothing 8$ мм в подходящем месте согласно расстоянию между центрами отверстий на задней части вытяжки.

Вставьте гайку в отверстия.

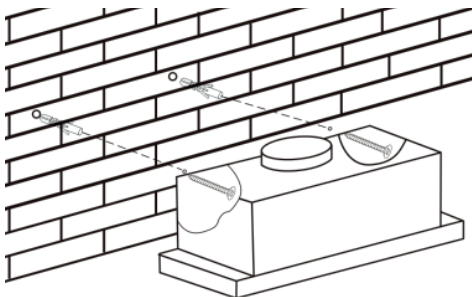
Вставьте в гайки винты и затяните их.

Поместите вытяжку на затянутые винты.

Закрепите вытяжку с помощью защитного винта.

Два защитных вентиля расположены на задней крышке диаметром 6 мм.

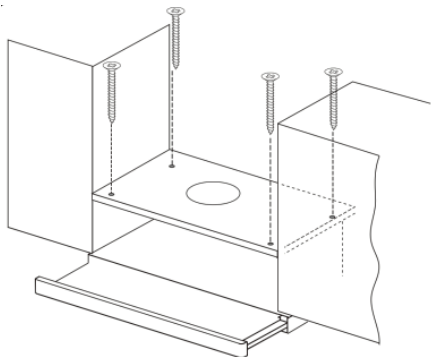
Поместите односторонний клапан на вытяжку.



5 Установка изделия

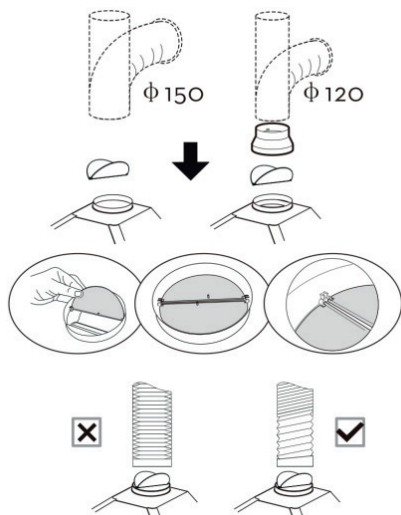
Метод Б:

Пробурите 4 отверстия диаметром 6 мм в нижней части подвесного шкафа. Поместите односторонний клапан на вытяжку, затем установите вытяжку на дно подвесного шкафа, затяните крышку прилагаемыми 4 винтами.



- Расширяемые трубы являются дополнительным аксессуаром, не поставляются.
- Снимите защитную пленку перед установкой.

5.4 Способ установки воздуховода



Метод установки для трубы диаметром 150 мм: Вставьте односторонний клапан, как на картинке, и закрепите трубу.



ВНИМАНИЕ: Выступ одностороннего клапана должен быть вверх.

Метод установки для трубы диаметром 120 мм: Вставьте затвор, как на картинке, и закрепите переходник перед установкой воздуховода.

Труба у выхода воздуха должна быть полностью выдвинута.

5.5 Хранение

- Если вы не планируете использовать электроприбор в течение длительного времени, то его следует хранить надлежащим образом.
- Убедитесь, что электроприбор отключен от электросети, остыл, а его поверхности полностью сухие.
- Хранить прибор следует в сухом прохладном месте.
- Храните устройство в недоступном для детей месте.

5.6 Обращение и транспортировка

- Во время обработки и транспортировки переносите прибор в оригинальной упаковке.
- Упаковка устройства защищает его от физических повреждений.
- Не кладите тяжелые грузы на прибор или упаковку. Возможно повреждение прибора.

6 Устранение неисправностей

Устранение неисправностей	Причина	Решение
Изделие не работает.	Проверить предохранитель.	Предохранитель может быть отключен, включите его.
Изделие не работает.	Проверьте электрическое соединение.	Напряжение в сети должно составлять 220-240 В.
Изделие не работает.	Проверьте электрическое соединение.	Проверьте, работает ли другое оборудование на кухне.
Не горит лампа освещения.	Проверьте электрическое соединение.	Напряжение в сети должно составлять 220-240 В.
Не горит лампа освещения.	Проверьте выключатель лампы.	Выключатель лампы должен находиться в положении «вкл.».
Не горит лампа освещения.	Проверьте лампы.	Лампы изделия должны быть исправны.
Изделие не обеспечивает эффективный забор воздуха.	Проверьте алюминиевый фильтр.	При обычных условиях эксплуатации алюминиевый фильтр необходимо чистить не реже раза в месяц.
Изделие не обеспечивает эффективный забор воздуха.	Проверьте воздушную заслонку вентиляционной трубы.	Заслонка вентиляционной трубы должна находиться в положении «вкл.».
Изделие не обеспечивает эффективный забор воздуха.	Проверьте угольный фильтр.	При обычных условиях эксплуатации в изделиях, оборудованных угольным фильтром, его замену следует производить каждые 3 месяца.

Производитель: "Arçelik A.S."

Karaağaç Caddesi No: 2-6 Sütlüce, 34445, Турция

Сделано в Китае

Импортер на территории РФ / Уполномоченное изготовителем лицо: ООО «Ай Эйч Пи Апплаенсес», 398005, Россия, Липецкая область, г.о. город Липецк, г. Липецк, пл. Metallургов, д. 2

Дата изготовления включена в серийный номер, указанный на этикетке, расположенной на продукте, следующим образом: Первые две цифры серийного номера обозначают код завода, вторые две - год выпуска, а третьи две цифры – неделю. Например, "7410-05-000001" означает, что продукт был произведен на 5ой неделе 2010 года.

Информацию о сертификации продукта Вы можете уточнить, позвонив на горячую линию 8-800-3333-887.

Additional Information for User Manual:

Дополнительная информация по руководству пользователя:

Пайдаланушы нұсқаулығына арналған қосымша ақпарат:

Technical information on the operating Low Power Modes pursuant to EU Regulation 2023/826

Техническая информация о рабочих режимах с низким энергопотреблением в соответствии с Регламентом ЕС 2023/826

ЕО 2023/826 ережесіне сәйкес жұмыс істейтін төмен қуат режимдері туралы техникалық ақпарат

Mode	POWER CONSUMPTION(WATT)	PERIOD(MINUTES)*
Режим	ЭНЕРГОПОТРЕБЛЕНИЕ (ВАТТ)	ПЕРИОД (МИНУТЫ)*
Режим	ҚУАТ ТҰТЫНУ (ВАТТ)	период(минут)*
Off	0.5	20
Выкл		
Өшірулі		

* The period after which the equipment reaches automatically standby mode, off mode or networked standby in minutes and rounded to the nearest minute.

* Период, по истечении которого оборудование автоматически переходит в режим ожидания, выключения или сетевой режим ожидания, в минутах, округленный до ближайшей минуты.

* Жабдықтың автоматты күту режиміне, өшіру режиміне немесе желілік күту режиміне бірнеше минут ішінде жеткен және ең жақын минутқа дейін дөңгелектенетін кезең.

Arçelik A.Ş.
Karaağaç Caddesi No: 2-6, 34445,
Sütlüce, İstanbul, Türkiye